

About Us

TSI Flow Products, a Houston, Texas based business, began as a machine shop providing high pressure components to the major suppliers of API 6A gate valves around the globe. This knowledge, experience and expertise over the years expanded into high pressure flow control products.

TSI Flow Products are based on field proven designs and manufactured from the highest quality materials with stringent quality control checks and statistical process control. TSI Flow Products is an API 6A Q1 and ISO 9001 licensed facility.

TSI Flow Products is a vertically integrated company from forge shop to test and assembly operation. Over the last twenty years, TSI Flow Products has invested significant amounts of capital into key processes, including, but not limited to:

- *Forging Presses*
- *Heat Treatment and Stress Relieving Operations.*
- *CNC high performance & precision machine tools with the ability to provide six sigma levels of quality with repeatable and reliable product quality.*
- *Assembly and Testing facilities*

All these key processes are performed by employees of TSI Flow Products who are fully trained, knowledgeable and skilled to understand current product and quality requirements.

This investment in state of the art technologies, precision machine tools and the constant learning and training of our skilled workforce, allows TSI Flow Products to pass on to our customers unequalled quality and value for our high pressure control products.

Applications for TSI's high pressure components includes: Blowout Preventer Systems, Snubbing, Cementing, Well Stimulation, Sand Separator Systems, Coiled Tubing Systems, Production Testing and Flow Back Operations.

TSI Flow Products Valve/Choke Replacement Parts

SEC 1 - CIW GATE VALVES

Manual F & FC (CIW)	1
Hydraulically Actuated Gate Valve F & FC	7

SEC 2 - WKM GATE VALVES

WKM Model M 3,000-5000 PSI	11
WKM Model M1 10,000-15000 PSI	13

SEC 3 - REPLACEMENT PARTS FOR CHOKES

Parts for OCT & CIW Chokes	15
JWA Adjustable Choke (OCT)	17
JWA Positive Choke (OCT)	19
T-N62 Adjustable Choke (OCT)	21
T-1 Positive Choke (OCT)	21
FT-116 Adjustable Choke (OCT)	23
FT-116 Positive Choke (OCT)	23
T-N60 Adjustable Choke (OCT)	25
FT-108 Positive Choke (OCT)	25

SEC 4 - HIGH PRESSURE 1502 CHOKES

2" 1502 Positive Choke	27
2" 1502 Adjustable Choke	29
3" 1502 Adjustable Choke	31
3" 1502 Positive Choke	33

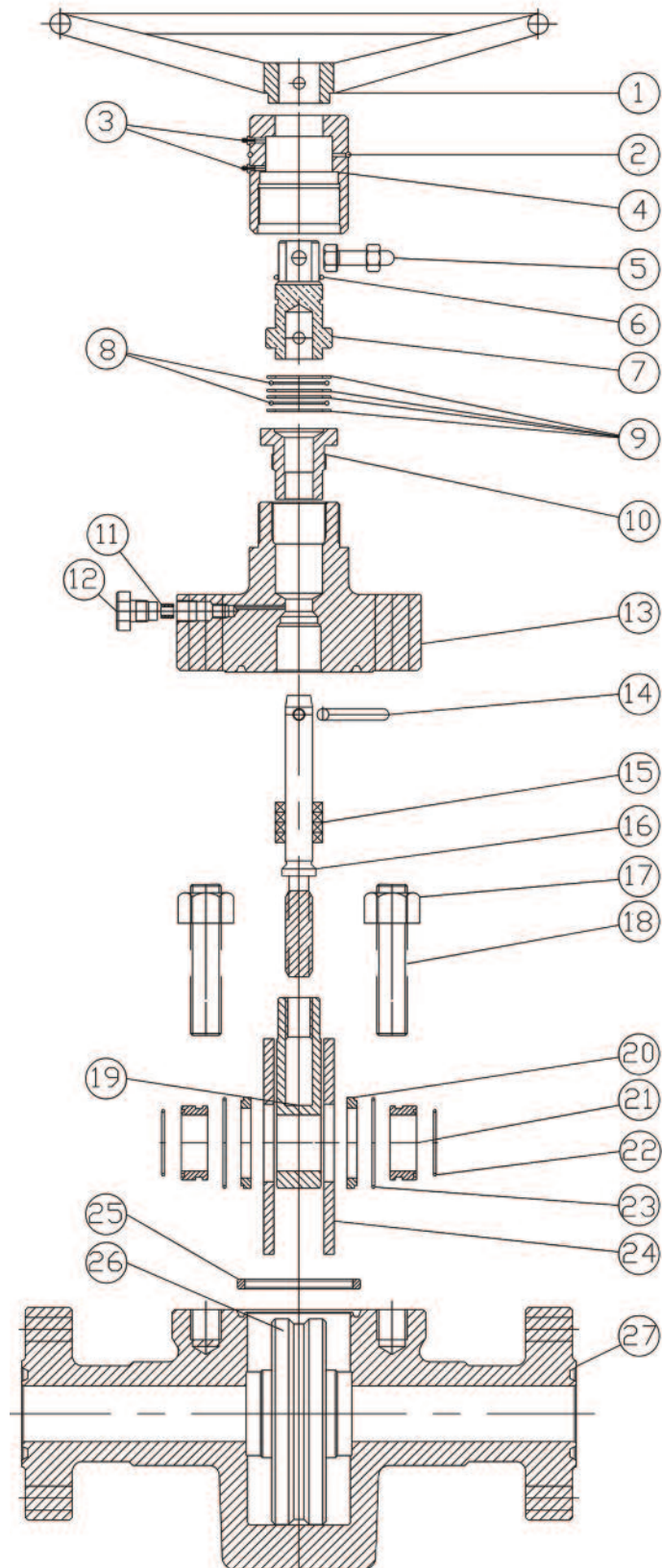
TSI Flow Products also manufactures CIW Type FL / FLS / FLSR as well as other brand name gate valve components up to 7 1/16 15k.

- Gates
- Stem Packing
- Seats
- Bonnet Gaskets
- Stems
- etc...

Please contact your local sales office for pricing and availability.

Replacement Parts for CIW Gate Valve

- 1 HANDWHEEL
- 2 O-RING
- 3 GREASE FTG (BRG CAP) PRESS
- 4 BEARING CAP
- 5 BOLT/NUT(HANDWHEEL)
- 6 O-RING (STEM ADPT.)
- 7 STEM ADAPTER
- 8 THRUST BEARING
- 9 BEARING RACE
- 10 PACKING GLAND 4130
- 11 CHECK VALVE S.S
- 12 GREASE FTG
- 13 BONNET
- 14 STEM PIN
- 15 STEM PACKING
- 16 STEM
- 17 BONNET NUT
- 18 BONNET STUD
- 19 GATE
- 20 SEAT RING
- 21 BODY BUSHING
- 22 BODY BUSHING SEAL
- 23 SEAL RING "SEAT SEAL"
- 24 RETAINER PLATE
- 25 BONNET SEAL RING
- 26 GATE GUIDE
- 27 BODY, VALVE



Replacement Parts for CIW Manuel F & FC Gate Valve

ITEM	DESCRIPTION		No. Req'd	1 13/16" 10,000 psi	1 13/16" 15,000 psi
				P/N	P/N
1	HANDWHEEL	DUCTILE IRON	1	19937-01	19937-3
2	O-RING	BUNA	1	B/70-236	B/70-236
3	GREASE FTG (BRG CAP) PRESS	S.S.	2	5929-05	5929-05
4	BEARING CAP	ALLOY	1	19106-01	19106-01
5	BOLT/NUT(HANDWHEEL)				
6	O-RING (STEM ADPT.)	BUNA	1	B/70-222	B/70-222
7	STEM ADAPTER	ALLOY	1	20871-01	20871-01
8	THRUST BEARING		2	5931-09	5931-09
9	BEARING RACE		4	19108-01	19108-01
10	PACKING GLAND 4130	4130 PHOSPHATE	1	20874-01	20874-01
11	CHECK VALVE S.S	S.S.	1	19776-01	19776-01
12	GREASE FTG	4140 NACE	1	5929-25	5929-25
"	" S.S.	S.S.	"	5929-55	5929-55
13	BONNET	4130	1	33297-02-01	33297-03-01
14	STEM PIN	ALLOY	1	21812-14	21812-14
15	STEM PACKING		1	686598-01	686598-01
"	STEM PKG BACKUP RING	MFTFE		N/A	691889-01
16	STEM	17-4 S.S	1	19285-01	19285-01
"	"	INCONEL	"	29381-01-99	29381-01-99
17	BONNET NUT	B7	8	5926-25-10	5926-23-10
18	BONNET STUD	B7	8	5914-21-10	5915-25-10
19	GATE	410 S.S. NIT.	1	19797-03	19797-03
"	"	4130 HF/COL.	"	23039-02	23039-02
"	"	410 S.S. HF/TC	"	23039-06	23039-06
20	SEAT RING	STELLITE	2	611527-01	611527-01
"	"	410 S.S. NIT.	"	C-0420550	C-0420550
21	BODY BUSHING	410 S.S.	2	44649-01	44649-01
22	BODY BUSHING SEAL	MFTFE	2	14719-74	14719-74
23	SEAL RING "SEAT SEAL"	MFTFE	2	14719-49	14719-49
24	RETAINER PLATE	ALLOY	2	611404-09	611404-09
"	"	S.S.	"	611404-09	611404-02
25	BONNET SEAL RING	S.S.	F	19141-06	19141-06
"	"	S.S.	FC	44671-01	44671-01
26	GATE GUIDE	S.S.	2	694811-01	694811-01
27	BODY, VALVE	4130	1	44648-01	44648-02

NOTE: Regular Trim = 410 Nitride Gate & SS Nitride Seat
 Super Trim = 4130 HF/COL Gate & Solid Stellite Seat
 Stainless Super Trim = 410 SS HF/TC Gate & Solid Stellite Seat

PARTS MANUFACTURED BY TECH-SEAL INT'L

Replacement Parts for CIW Manual F & FC Gate Valve

ITEM	DESCRIPTION		No. Req'd	2 1/16" 5,000 psi	2 1/16" 10,000 psi	2 1/16" 15,000 psi
				P/N	P/N	P/N
1	HANDWHEEL	DUCTILE IRON	1	19937-01	19937-03	19937-03
2	O-RING	BUNA	1	B/70-236	B/70-236	B/70-236
3	GREASE FTG (BRG CAP) PRESS	S.S.	2	5929-05	5929-05	5929-05
4	BEARING CAP	ALLOY	1	19106-01	19106-01	19106-01
5	BOLT/NUT(HANDWHEEL)					
6	O-RING (STEM ADPT.)	BUNA	1	B/70-222	B/70-222	B/70-222
7	STEM ADAPTER	ALLOY	1	20871-01	20871-01	20871-01
8	THRUST BEARING		2	5931-09	5931-09	5931-09
9	BEARING RACE		4	19108-01	19108-01	19108-01
10	PACKING GLAND 4130	4130 PHOSPHATE	1	20874-01	20874-01	20874-01
11	CHECK VALVE S.S	S.S.	1	19776-01	19776-01	19776-01
12	GREASE FTG	4140 NACE	1	5929-25	5929-25	5929-25
"	" S.S.	S.S.		5929-55	5929-55	5929-55
13	BONNET	4130	1	33297-01-01	33297-04-01	33297-05-01
14	STEM PIN	ALLOY	1	21812-14	21812-14	21812-14
15	STEM PACKING		1	686598-01	686598-01	686598-01
"	STEM PKG BACKUP RING	MFTFE	"	N/A	N/A	(1) 691889-01
16	STEM	17-4 S.S	1	19285-01	19285-01	19285-01
"	"	INCONEL	"	29381-01-99	29381-01-99	29381-01-99
17	BONNET NUT	B7	8	5926-09-10	5926-25-10	5926-23-10
18	BONNET STUD	B7	8	5912-67-10	5914-18-10	5915-67-10
19	GATE	410 S.S. NIT.	1	19798-04	19798-04	19798-04
"	"	4130 HF/COL.	"	694493-01	694493-01	694493-01
"	"	410 S.S. HF/TC	"	23042-04	23042-04	23042-04
20	SEAT RING	SATELLITE	2	44844-06	44844-06	44844-06
"	"	410 S.S. NIT.	"	C-04110-50	C-04110-50	C-04110-50
21	BODY BUSHING	410 S.S.	2	694810-01	694810-01	694810-01
22	BODY BUSHING SEAL	MFTFE	2	14719-69	14719-69	14719-69
23	SEAL RING "SEAT SEAL"	MFTFE	2	14719-23	14719-23	14719-23
24	RETAINER PLATE	ALLOY	2	611404-01	611404-01	611404-01
"	"	S.S.	"	611404-02	611404-02	611404-02
25	BONNET SEAL RING	S.S.	F	21793-11	19141-07	19141-07
"	"	S.S.	FC		16210-30	16210-30
26	GATE GUIDE	S.S.	2	694811-01	694811-01	694811-01
27	BODY, VALVE	4130	1	694812-01-01	235000-01-01	610591-01

NOTE: Regular Trim = 410 Nitride Gate & SS Nitride Seat
 Super Trim = 4130 HF/COL Gate & Solid Stellite Seat
 Stainless Super Trim = 410 SS HF/TC Gate & Solid Stellite Seat

PARTS MANUFACTURED BY TECH-SEAL INT'L

Replacement Parts for CIW Manual F & FC Gate Valve

ITEM	DESCRIPTION		No. Req'd	2 9/16" 5,000 psi	2 9/16" 10,000 psi	2 9/16" 15,000 psi
				P/N	P/N	P/N
1	HANDWHEEL	DUCTILE IRON	1	19937-01	19937-03	19937-03
2	O-RING	BUNA	1	B/70-236	B/70-236	B/70-240
3	GREASE FTG (BRG CAP) PRESS	S.S.	2	5929-05	5929-05	5929-05
4	BEARING CAP	ALLOY	1	19106-01	19106-01	19312-01
5	BOLT/NUT(HANDWHEEL)					
6	O-RING (STEM ADPT.)	BUNA	1	B/70-222	B/70-222	B/70-224
7	STEM ADAPTER	ALLOY	1	20871-01	20871-01	20873-01
8	THRUST BEARING		2	5931-09	5931-09	5931-10
9	BEARING RACE		4	19108-01	19108-01	19310-01
10	PACKING GLAND 4130	4130 PHOSPHATE	1	20874-01	20874-01	20890-01
11	CHECK VALVE S.S	S.S.	1	19776-01	19776-01	19776-01
12	GREASE FTG	4140 NACE	1	5929-25	5929-25	5929-25
"	"	S.S.	"	5929-55	5929-55	5929-55
13	BONNET	4130	1	33297-06-01	33297-08-01	33298-01-01
14	STEM PIN	ALLOY	1	21812-14	21812-14	21812-15
15	STEM PACKING		1	686598-01	686598-01	686598-02
"	STEM PKG BACKUP RING	MFTFE	"	N/A	N/A	(1) 691889-01
16	STEM	17-4 S.S	1	19285-02	19285-02	38228-03-99
"	"	INCONEL	"	29381-02-99	29381-02-99	23253-03
17	BONNET NUT	B7	8	5926-10-10	5926-23-10	5926-25-10
18	BONNET STUD	B7	8	5915-60-10	5915-40-10	5926-2-10
19	GATE	410 S.S. NIT.	1	19799-03	19799-03	20986-03
"	"	4130 HF/COL.	"	23044-02	23044-02	23426-02
"	"	410 S.S. HF/TC	"	C-22115-41-H	C-22115-41-H	C-22315-41-H
20	SEAT RING	STELLITE	2	44839-06	44839-06	44922-06
"	"	410 S.S. NIT.	"	C-04115-50	C-04115-50	N/A
21	BODY BUSHING	410 S.S.	2	235040-01	235040-01	44643-01
22	BODY BUSHING SEAL	MFTFE	2	610500-70	610500-70	610500-75
23	SEAL RING "SEAT SEAL"	MFTFE	2	610500-33	610500-33	610500-52
24	RETAINER PLATE	ALLOY	2	611404-11	611404-11	611404-07
"	"	S.S.	"	611404-11	611404-11	611404-08
25	BONNET SEAL RING	S.S.	F	21793-12	19141-08	19141-12
"	"	S.S.	FC		CFC-16215-30	44671-2
26	GATE GUIDE	S.S.	2	235041-01	235041-01	44641-01
27	BODY, VALVE	4130	1	694812-04-01	32878-11	44645-01

NOTE: Regular Trim = 410 Nitride Gate & SS Nitride Seat

Super Trim = 4130 HF/COL Gate & Solid Stellite Seat

Stainless Super Trim = 410 SS HF/TC Gate & Solid Stellite Seat

PARTS MANUFACTURED BY TECH-SEAL INT'L

Replacement Parts for CIW Manual F & FC Gate Valve

ITEM	DESCRIPTION		No. Req'd	3 1/8" 5,000 psi	3 1/16" 10,000 psi	3 1/16" 15,000 psi
				P/N	P/N	P/N
1	HANDWHEEL	DUCTILE IRON	1	19937-03	20774-02	20774-02
2	O-RING	BUNA	1	B/70-236	B/70-236	
3	GREASE FTG (BRG CAP) PRESS	S.S.	2	5929-05	5929-05	5929-05
4	BEARING CAP	ALLOY	1	19106-01	19106-01	678472-01
5	BOLT/NUT(HANDWHEEL)					
6	O-RING (STEM ADPT.)	BUNA	1	B/70-222	B/70-222	
7	STEM ADAPTER	ALLOY	1	20871-01	20871-01	676474-01
8	THRUST BEARING		2	5931-09	5931-09	5931-22
9	BEARING RACE		4	19108-01	19108-01	19310-02
10	PACKING GLAND 4130	4130 PHOSPHATE	1	20874-01	20874-01	677509-01
11	CHECK VALVE S.S	S.S.	1	19776-01	19776-01	19776-01
12	GREASE FTG	4140 NACE	1	5929-25	5929-25	5929-25
"	" S.S.	S.S.	"	5929-55	5929-55	5929-55
13	BONNET	4130	1	33297-09-01	33297-10-01	677513-02-01
14	STEM PIN	ALLOY	1	21812-14	21812-14	C-24325-21
15	STEM PACKING		1	686598-01	686598-01	691889-03
"	STEM PKG BACKUP RING	MFTFE	"	N/A	N/A	(1) 691889-01
16	STEM	17-4 S.S	1	19285-03	19285-03	687853-01
"	"	INCONEL	"	29381-49	29381-49	688590-01-99
17	BONNET NUT	B7	8	5926-25-10	5926-24-10	(16)18573-06-10
18	BONNET STUD	B7	8	5914-21-10	5917-33-10	(16)5914-95-10
19	GATE	410 S.S. NIT.	1	19800-03	19800-03	NO availability
"	"	4130 HF/COL.	"	23791-01	23791-01	678253-01
"	"	410 S.S. HF/TC	"	19800-02	19800-02	677512-01
20	SEAT RING	STELLITE	2	44783-06	44783-06	678353-01
"	"	410 S.S. NIT.	"	C-04120-50	C-04120-50	NO P/N
21	BODY BUSHING	410 S.S.	2	694813-01	630469-06	44639-02
22	BODY BUSHING SEAL	MFTFE	2	610500-71	610500-71	610500-77
23	SEAL RING "SEAT SEAL"	MFTFE	2	610500-50	610500-50	610500-55
24	RETAINER PLATE	ALLOY	2	611404-03	611404-03	611404-15
"	NO P/N	S.S.	"			
25	BONNET SEAL RING	S.S.	F	21793-27	19141-10	19141-13
"	"	S.S.	FC		CFC-16220-30	44671-04
26	GATE GUIDE	S.S.	2	694482-01	694482-01	44640-01
27	BODY, VALVE	4130	1	N/A	694480-01	44737-01

NOTE: Regular Trim = 410 Nitride Gate & SS Nitride Seat
 Super Trim = 4130 HF/COL Gate & Solid Stellite Seat
 Stainless Super Trim = 410 SS HF/TC Gate & Solid Stellite Seat

PARTS MANUFACTURED BY TECH-SEAL INT'L

Replacement Parts for CIW Manual F & FC Gate Valve

ITEM	DESCRIPTION		No. Req'd	4 1/16" 5,000 psi	4 1/16" 10,000 psi	4 1/16" 15,000 psi
				P/N	P/N	P/N
1	HANDWHEEL	DUCTILE IRON	1	19937-03	20774-02	C-19225-81
2	O-RING	BUNA	1	B/70-236	B/70-240	
3	GREASE FTG (BRG CAP) PRESS	S.S.	2	5929-05	5929-05	5929-05
4	BEARING CAP	ALLOY	1	19106-01	19312-01	681111-01
5	BOLT/NUT(HANDWHEEL)					
6	O-RING (STEM ADPT.)	BUNA	1	B/70-222	B/70-224	
7	STEM ADAPTER	ALLOY	1	20871-01	20873-01	681112-01
8	THRUST BEARING		2	5931-09	5931-10	5931-22
9	BEARING RACE		4	19108-01	19310-01	19310-02
10	PACKING GLAND 4130	4130 PHOSPHATE	1	20874-01	20890-01	690164
11	CHECK VALVE S.S	S.S.	1	19776-01	19776-01	19776-01
12	GREASE FTG	4140 NACE	1	5929-25	5929-25	5929-25
"	" S.S.	S.S.	"	5929-55	5929-55	5929-55
13	BONNET	4130	1	33297-14-01	33298-02-01	682254-01
14	STEM PIN	ALLOY	1	21812-14	C-24225-21	C-24325-21
15	STEM PACKING		1	23678-01	23678-02	686598-12
"	STEM PKG BACKUP RING	MFTFE		N/A	N/A	(1) 691889-01
16	STEM	17-4 S.S	1	29381-04-99	23253-01	682256-01
"	"	INCONEL	"	C-21125-61		682564-01-99
17	BONNET NUT	B7	8	5926-23-10	5926-27-10	5926-28-10
18	BONNET STUD	B7	8	5915-67-10	6306-22-10	7311-06-10
19	GATE	410 S.S. NIT.	1	C-22125-41-N	19794-02	682255-01
"	"	4130 HF/COL.	"	23248-01	23249-01	682255-02
"	"	410 S.S. HF/TC	"	C22125-41-H	C-22225-41-H	682255-05
20	SEAT RING	STELLITE	2	610482-03	610978-02	611535-02
"	"	410 S.S. NIT.	"	N/A	C-04225-50	N/A
21	BODY BUSHING	410 S.S.	2	694815-01	694404-01	611044-01
22	BODY BUSHING SEAL	MFTFE	2	610500-67	610500-67	B/C-41325-83
23	SEAL RING "SEAT SEAL"	MFTFE	2	610500-67	610500-67	610500-58
24	RETAINER PLATE	ALLOY	2	611404-05	611404-17	682257-01
"	"	S.S.	"	N/A	611404-17	682257-02
25	BONNET SEAL RING	S.S.	F	N/A	19141-11	19141-15
"	"	S.S.	FC	N/A	N/A	N/A
26	GATE GUIDE	S.S.	2	C-03125-30	694406-01	611045-01
27	BODY, VALVE	4130	1	N/A	N/A	611288-03

NOTE: Regular Trim = 410 Nitride Gate & SS Nitride Seat

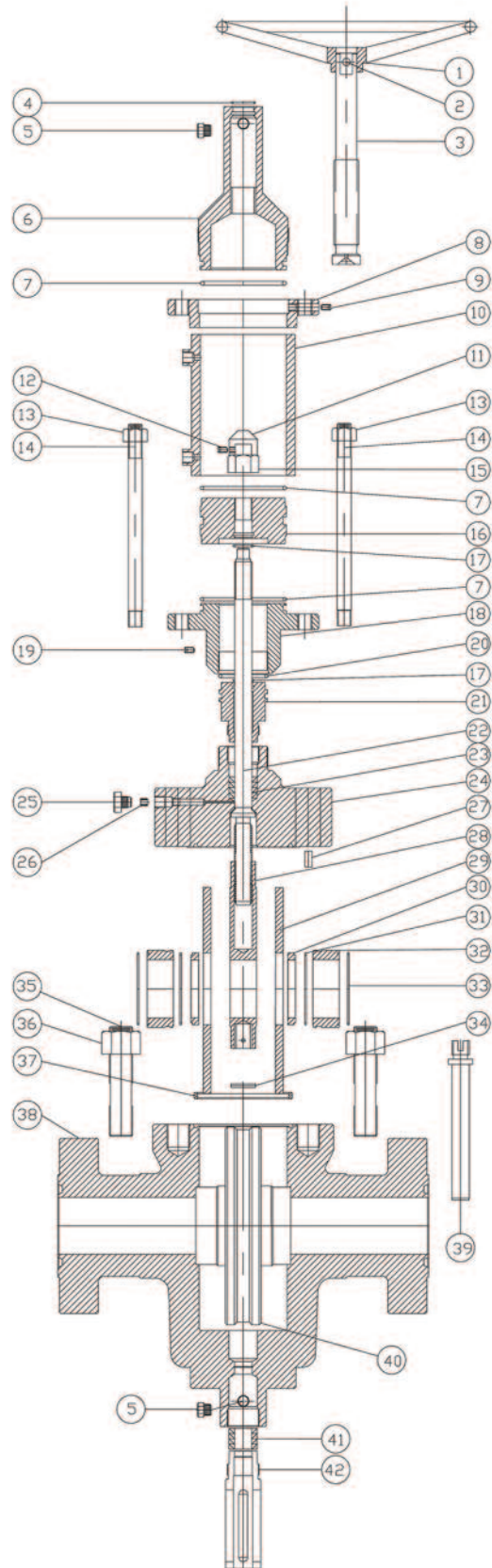
Super Trim = 4130 HF/COL Gate & Solid Stellite Seat

Stainless Super Trim = 410 SS HF/TC Gate & Solid Stellite Seat

PARTS MANUFACTURED BY TECH-SEAL INT'L

Replacement Parts for CIW Hydraulically Acuted Gate Valve

- 1 HANDWHEEL
- 2 SHEAR PIN
- 3 LOCKING SCREW
- 4 O-RING
- 5 PIPE PLUG
- 6 ADJUSTING NUT
- 7 O-RING
- 8 UPPER CYLINDER HEAD
- 9 SET SCREW
- 10 CYLINDER
- 11 CENTERING PIN
- 12 SET SCREW
- 13 CYLINDER HEAD NUT
- 14 CYLINDER HEAD STUD
- 15 PISTON LOCK NUT
- 16 PISTON
- 17 O-RING
- 18 LOWER CYLINDER HEAD
- 19 RELIEF VALVE
- 20 O-RING
- 21 GLAND
- 22 STEM
- 23 STEM PACKING
- 24 BONNET
- 25 GREASE FITTING
- 26 CHECK VALVE
- 27 BONNET LOCATING PIN
- 28 GATE
- 29 RETAINER PLATE
- 30 SEAT RING
- 31 SEAT SEAL
- 32 BODY BUSHING
- 33 BODY BUSHING SEAL
- 34 LOWER STEM PIN
- 35 BONNET STUD
- 36 BONNET NUT
- 37 BONNET GASKET
- 38 BODY
- 39 LOWER STEM
- 40 GATE GUIDES
- 41 STEM PACKING
- 42 STEM PROTECTOR
- 43 NAME PLATE



Replacement Parts for CIW F & FC Hydraulic Gate Valves

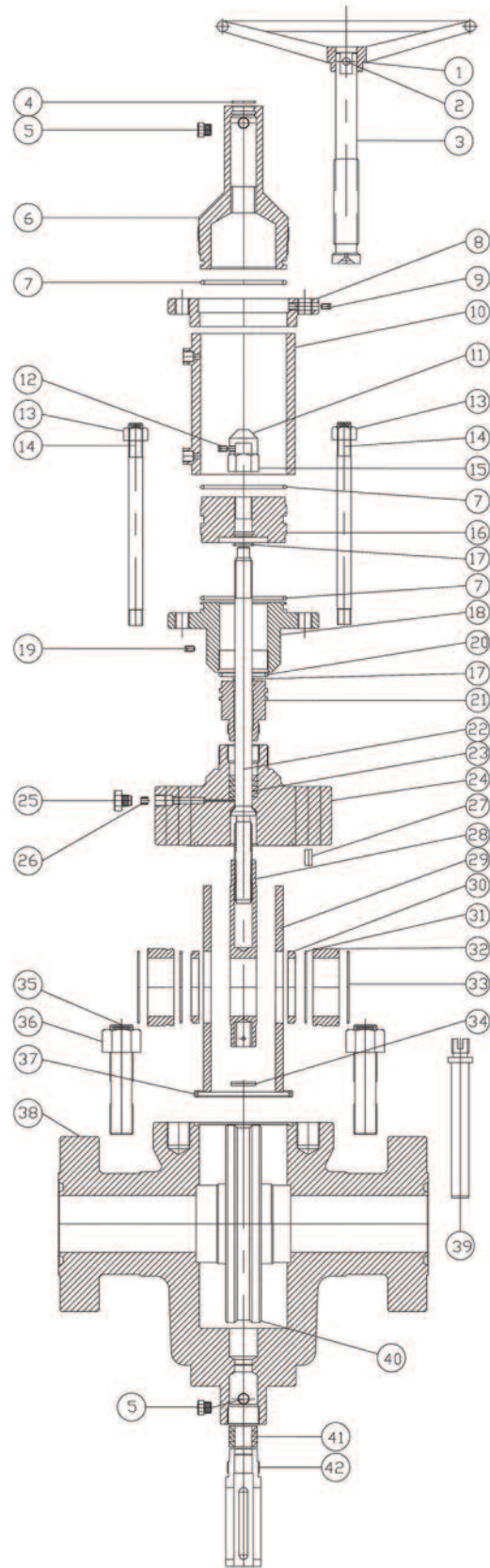
ITEM	DESCRIPTION	No. Req'd	2 1/16" 5,000 psi	2 1/16" 10,000 psi	2 1/16" 15,000 psi	3 1/8" 5,000 psi	
			P/N	P/N	P/N	P/N	
1	HANDWHEEL	1	19937-1	19937-3	19937-3	20774-02	
2	SHEAR PIN						
3	LOCKING SCREW	1	18597-1	18597-1	18597-1	18597-03	
4	O-RING	1	6227-1-70	6227-27-1-70	6227-27-1-70	8227-27-1-70	
5	PIPE PLUG	1	5930-1	5930-1	5930-1	5930-1	
6	ADJUSTING NUT	1	22936-1	22936-1	22936-1	22948-01	
7	O-RING	3	6227-48-1-70	6227-48-1-70	6227-48-1-70	6227-51-13-90	
8	UPPER CYLINDER HEAD	1	22939-1	22939-1	22939-1	22945-01	
9	SET SCREW	2	5940-6	5940-6	5940-6	5940-06	
10	CYLINDER	1	20459-4	20459-4	20459-4	20459-08	
11	CENTERING PIN	1	18596-1	18596-1	18596-1	18596-01	
12	SET SCREW	1	5940-1-4	5940-1-4	5940-1-4	5940-1-01-04	
13	CYLINDER HEAD NUT	6	5926-8	5926-8	5926-8	5926-08	
14	CYLINDER HEAD STUD	6	5911-48	5911-48	5911-48	5911-49	
15	PISTON LOCK NUT	1	5953-5	5953-5	5953-5	5953-05	
16	PISTON	1	20582-1	20582-1	20582-1	20946-01	
17	O-RING	2	6227-19-1-70	6227-19-1-70	6227-19-1-70	6227-19-1-70	
18	LOWER CYLINDER HEAD	1	20583-1	20583-1	20583-1	20938-01	
19	RELIEF VALVE	1	5929-10	5929-10	5929-10	5929-10	
20	O-RING	1	6227-36-13-85	6227-36-13-85	6227-36-13-85	6227-36-13-90	
21	GLAND	1	20454-2	20454-2	20454-2	20943-02	
22	STEM	17-4 S.S	34272-1	34272-1	34272-1	34272-04	
23	STEM PACKING	2	686598-1	686598-1	686598-1	686598-01	
24	BONNET	1	33297-1-1	33297-4-1	33297-5-1	33297-09-01	
25	GREASE FITTING	1	5929-55	5929-55	5929-55	5929-55	
26	CHECK VALVE			678627-1	678627-1		
27	BONNET LOCATING PIN	2	21813-6			21814-05	
28	GATE	410 S.S NIT	1	38696-1	29786-1	29786-1	29399-01
"	"	4130 HF/COL.	1	C-22110-21-H	C-22110-21-H	C-22110-21-H	C-22120-21-H
"	"	410 S.S HF/TC	1	C-22110-41-H	C-22110-41-H	C-22110-41-H	C-22120-41-H
29	RETAINER PLATE		2	21356-1	21356-1	21356-1	21358-01
30	SEAT RING	STELLITE	2	44844-06	44844-06	44844-06	44783-06
31	SEAT SEAL		2	610500-23	610500-23	610500-23	610500-71
32	BODY BUSHING	410 S.S.	2	694810-01	694810-01	694810-01	694813-01
33	BODY BUSHING SEAL	MFTFE	2	14719-69	14719-69	14719-69	610500-71
34	LOWER STEM PIN		1	21812-52	21812-52	21812-52	21812-52
35	BONNET STUD		8	5912-67	5914-18	5915-67	5914-21-10
36	BONNET NUT		8	5926-9	5926-25	12955-17	5926-25-10
37	BONNET GASKET		1	21793-11	19141-7	19141-7	21793-08
38	BODY		1	20465-1	20465-28	20465-3	
39	LOWER STEM		1	34271-2	34271-2	34271-2	34271-3
40	GATE GUIDES						
41	STEM PACKING		2	686598-1	686598-1	686598-1	686598-01
42	STEM PROTECTOR		1	20460-2	20460-2	20460-2	20953-01
43	NAME PLATE		1	19052	19052	19052	19052

PARTS MANUFACTURED BY TECH-SEAL INT'L

Replacement Parts for CIW F & FC Hydraulic Gate Valves

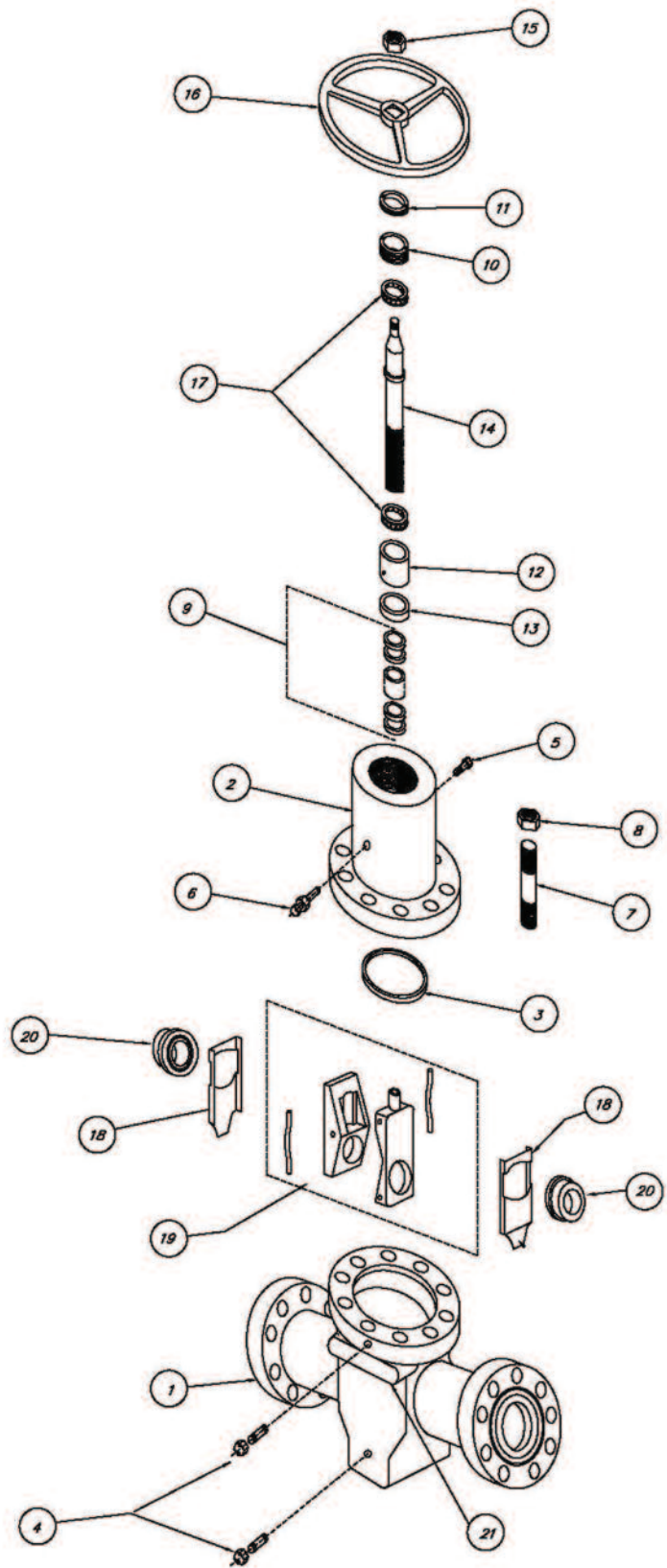
ITEM	DESCRIPTION	No. Req'd	3 1/16" 10,000 psi	4 1/16" 5,000 psi	4 1/16" 10,000 psi
			P/N	P/N	P/N
1	HANDWHEEL	1	20774-02	19937-1	20774-02
2	SHEAR PIN				
3	LOCKING SCREW	1	18597-03	18597-4	18597-04
4	O-RING	1	8227-27-1-70	6227-1-70	6227-27-1-70
5	PIPE PLUG	1	5930-1	5930-1	5930-01
6	ADJUSTING NUT	1	22948-01	22938-1	22850-01
7	O-RING	3	6227-51-13-90	6227-48-1-70	6227-61-01-70
8	UPPER CYLINDER HEAD	1	22945-01	22939-1	22410-01
9	SET SCREW	2	5940-06	5940-2	5940-06
10	CYLINDER	1	20459-08	20459-3	20459-07
11	CENTERING PIN	1	18596-01	18596-1	18598-01
12	SET SCREW	1	5940-1-01-04	5940-1-4	5940-1-01-04
13	CYLINDER HEAD NUT	6	5926-08	5926-8	5926-10
14	CYLINDER HEAD STUD	6	5911-49	5911-47	5913-30
15	PISTON LOCK NUT	1	5953-05	5953-5	5953-06
16	PISTON	1	20946-01	20582-1	2028-01
17	O-RING	2	6227-19-1-70	6227-19-1-70	6227-23-01-70
18	LOWER CYLINDER HEAD	1	20938-01	20583-1	20553-01
19	RELIEF VALVE	1	5929-10	5929-10	5929-10
20	O-RING	1	6227-36-13-90	6227-36-13-85	6227-40-01-80
21	GLAND	1	20943-02	20454-2	20827-02
22	STEM	17-4 S.S	34272-04	34272-3	38638-01
23	STEM PACKING	2	686598-01	686598-1	686598-02
24	BONNET	1	33297-10-01	33297-14-1	33298-02-01
25	GREASE FITTING	1	5929-55	5929-55	5929-55
26	CHECK VALVE		678627-01		678627-01
27	BONNET LOCATING PIN	2		21814-5	
28	GATE	410 S.S NIT	29399-01	679632-1	34273-01
"	"	4130 HF/COL.	"	C-22120-21-H	C-22125-21-H
"	"	410 S.S HF/TC	"	C-22120-41-H	C-22125-41-H
29	RETAINER PLATE		21358-01	21020-1	21021-01
30	SEAT RING	STELLITE	44783-06	610482-03	610978-02
31	SEAT SEAL		610500-71	610500-47	610500-47
32	BODY BUSHING	410 S.S.	630469-06	694815-01	694404-01
33	BODY BUSHING SEAL	MFTFE	610500-71	610500-67	610500-67
34	LOWER STEM PIN		21812-52	21812-52	21810-80
35	BONNET STUD		5917-33-10	5912-67	5306-22
36	BONNET NUT		12955-19	5926-23	12955-35
37	BONNET GASKET		19141-10	21794-3	19141-11
38	BODY		694480-01	20465-2	694405-01
39	LOWER STEM		34271-3	34271-3	28360-03
40	GATE GUIDES				
41	STEM PACKING		686598-01	686598-1	686598-02
42	STEM PROTECTOR		20953-01	20461-1	20849-02
43	NAME PLATE		19052	19052	19052

PARTS MANUFACTURED BY TECH-SEAL INT'L



Replacement Parts for WKM Model M1 3,000-5,000 PSI

- 1 BODY
- 2 BONNET
- 3 BONNET GASKET
- 4 BODY GREASE FITTING
- 5 ALEMITE FITTING
- 6 PACKING INJ. FITTING
- 7 BONNET STUD, TAP END
- 8 HEX NUT (BONNET-STUD NUT)
- 9 PACKING SET
- 10 BEARING RETAINER NUT
- 11 BEARING RETAINER LOCK NUT
- 12 BEARING SPACER SLEEVE
- 13 PACKING RETAINER
- 14 STEM
- 15 HANDWHEEL NUT/WASHER
- 16 HANDWHEEL
- 17 THRUST BEARING
- 18 GATE GUIDE
- 19 GATE ASSEMBLY
- 19A GATE SPRING
- 20 SEAT ASSEMBLY



Replacement Parts For WKM Model M Valve - 3,000-5,000 PSI WP

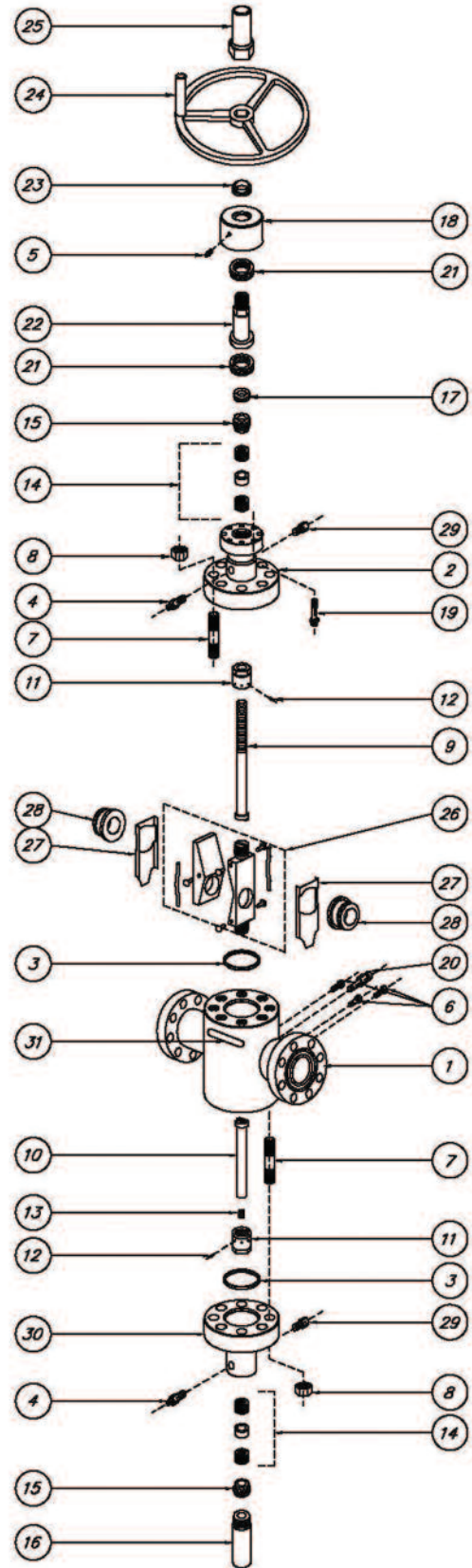
ITEM	DESCRIPTION	Material (Valve Trim)	No. Req'd	2 1/16" 5,000 psi	2 9/16" 5,000 psi	3 1/8" 5,000 psi	4 1/16" 5,000 psi
				P/N	P/N	P/N	P/N
1	BODY	REGULAR TRIM (T-21)	1	01110-21	01115-21	01120-21	01125-21
"	"	STAINLESS STEEL (T-22)	1	01110-41	01115-41	01120-41	01120-41
2	BONNET	REGULAR TRIM (T-21)	1	07110-21	07115-21	07120-21	07125-21
"	"	STAINLESS STEEL (T-22)	1	07110-41	07115-41	07120-41	07125-41
3	BONNET GASKET	REGULAR TRIM (T-21)	1	16110-10	16115-10	16120-10	16125-10
"	"	300SS	1	16110-30	16115-30	16120-30	16125-30
4	BODY GREASE FITTING	ALLOY	2	02110-22	02110-22	02110-22	02110-22
"	"	316 SS	2	02210-32	02210-32	02210-32	02210-32
5	ALEMITE FITTING	ALL	1	15110-80	15110-80	15110-80	15110-80
6	PACKING INJ. FITTING	ALLOY	1	10110-22	10110-22	10110-22	10110-22
"	"	316 SS	1	10210-32	10210-32	10210-32	10210-32
7	BONNET STUD, TAP END	B7	8	08110	08110	08120	08125
8	HEX NUT (BONNET-STUD NUT)	B7	8	09110	09110	09120	09125
9	PACKING SET	REGULAR TRIM (T-21)	1	12110-82	12110-82	12120-82	12125-82
"	"	GTFE (T-26)	1	12110-83	12110-83	12120-83	12125-83
10	BEARING RETAINER NUT	REGULAR TRIM (T-21)	1	17110	17110	17120	17125
11	BEARING RETAINER LOCK NUT	REGULAR TRIM (T-21)	1	18110	18110	18120	18125
12	BEARING SPACER SLEEVE	REGULAR TRIM (T-21)	1	06110	06110	06120	06125
13	PACKING RETAINER	REGULAR TRIM (T-21)	1	13110	13110	13120	13125
14	STEM	REGULAR TRIM (T-21)	1	21110-21	21115-21	21120-21	21125-21
"	"	17-4SS (0.5)	1	21110-50	21115-50	21120-50	21125-50
"	"	INCONEL (NL)	1	21110-61	21115-61	21120-61	21125-61
15	HANDWHEEL NUT/WASHER	REGULAR TRIM (T-21)	1	20110	20110	20120	20125
16	HANDWHEEL		1	19110	19115	19120	19125
17	THRUST BEARING	REGULAR TRIM (T-21)	2	14110	14110	14120	14125
18	GATE GUIDE	REGULAR TRIM (T-21)	2	03110-10	03115-10	03120-10	03125-10
"	"	300SS	2	03110-30	03115-30	03120-30	03125-30
19	GATE ASSEMBLY	REGULAR TRIM (T-21)	1	99110-21	99115-21	99120-21	99125-21
"	"	STAINLESS STEEL (T-22)	1	99110-41	99115-41	99120-41	99125-41
"	"	STAINLESS HF (T-26)	1	99110-41-H	99115-41-H	99120-41-H	99125-41-H
19a	GATE SPRING	INCONEL	2	25110-62	25115-62	25120-62	25125-62
20	SEAT ASSEMBLY	REGULAR TRIM (T-21)	2	04110-21-**	04115-21-**	04120-21-**	04125-21-**
"	"	STAINLESS STEEL (T-22)	2	04110-41-**	04115-41-**	04120-41-**	04125-41-**
"	"	STAINLESS HF (T-26)	2	04110-41-H-**	04115-41-H-**	04120-41-H-**	04125-41-H-**

** = seat and letter size
 NOTE: (T-21)Regular Trim = 4130 Nitride
 (T-22)Stainless Trim = 410 S.S. Nitride
 (T-26)Stainless Super Trim = 410 S.S. Hardface

ALL PARTS MANUFACTURED BY TECH-SEAL INT'L

Replacement Parts for WKM Model M1 10,000-15,000 PSI

- 1 BODY
- 2 BONNET
- 3 BONNET GASKET
- 4 PACKING INJECTION FITTING
- 5 ALEMITE FITTING
- 6 BODY GREASE FITTING
- 7 STUD, TAP END (BONNET STUD)
- 8 HEX NUT (BONNET-STUD NUT)
- 9 OPERATING STEM
- 10 BALANCING STEM
- 11 GATE NUT
- 12 GATE NUT LOCK SCREW
- 13 SET SCREW
- 14 PACKING SET
- 15 PACKING RETAINER NUT
- 16 BALANCING STEM PROTECTOR
- 17 LOCK NUT
- 18 BEARING CAP
- 19 CAP SCREW
- 20 BLOWDOWN FITTING
- 21 THRUST BEARING
- 22 STEM DRIVE NUT
- 23 ROD WIPER (WIPER SEAL)
- 24 HANDWHEEL
- 25 OPERATING STEM PROTECTOR
- 26 GATE ASSY
- 26A GATE SPRING
- 27 GATE GUIDE
- 28 SEAT
- 29 BLIND PLUG
- 30 BALANCING BONNET

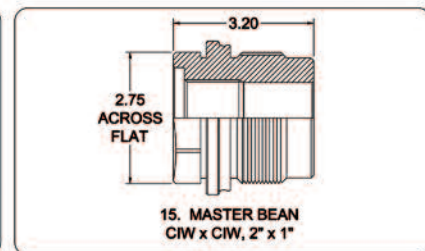
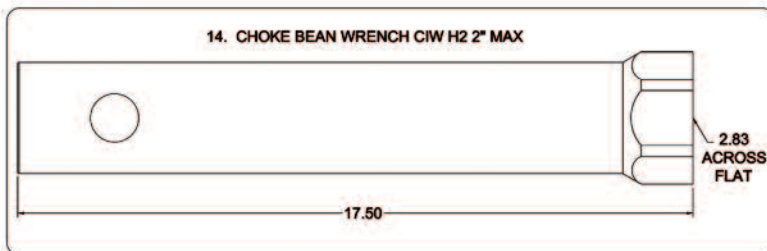
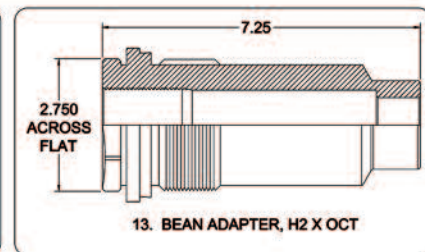
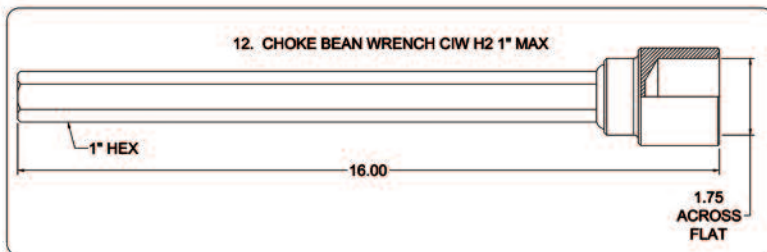
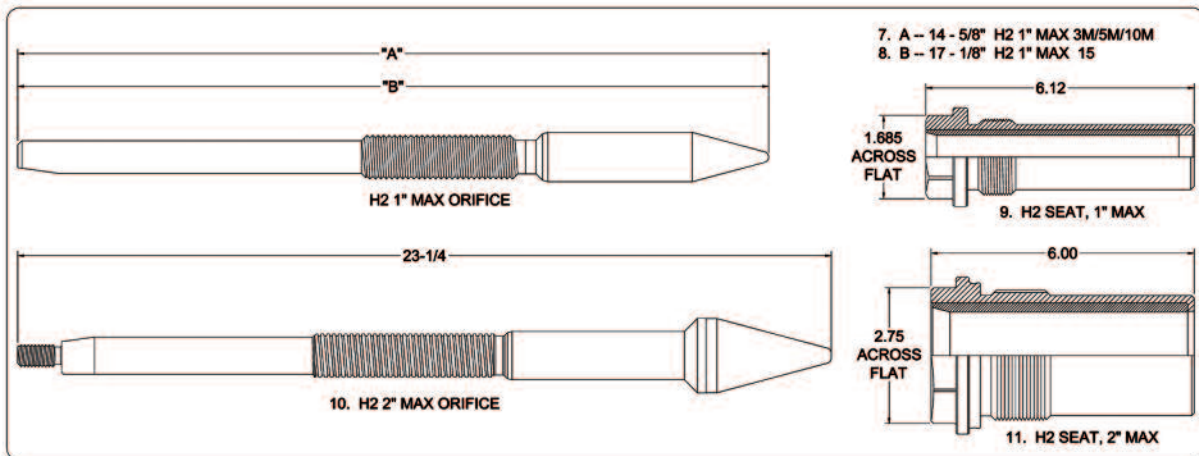
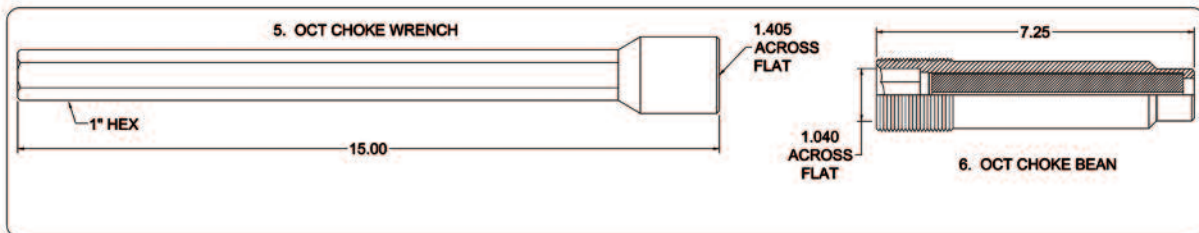
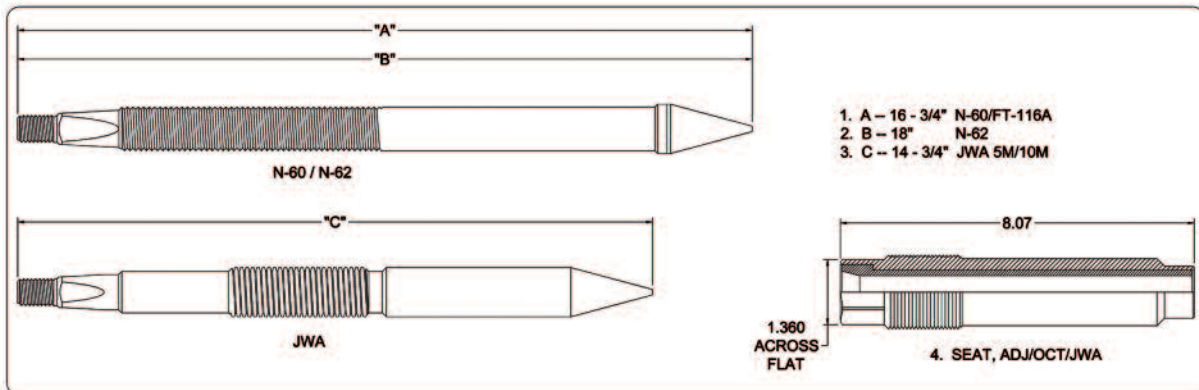


Replacement Parts For WKM Model M-1 Valve - 10,000-15,000 PSI WP

ITEM	DESCRIPTION	Material (Valve Trim)	No. Req'd	1-13/16" P/N	2-1/16" P/N	2-9/16" P/N	3-1/16" P/N	4-1/16" P/N
1	BODY	4130	1	01205-21	01210-21	01215-21	01220-21	01225-21
"	"	410 SS	1	01205-41	01210-41	01215-41	01220-41	01225-41
2	BONNET	4130	1	07205-21	07210-21	07215-21	07220-21	07225-21
"	"	410 SS	1	07205-41	07210-41	07215-41	07220-41	07225-41
3	BONNET GASKET	300SS	2	16205-30	16210-30	16215-30	16220-30	16225-30
4	PACKING INJECTION FITTING	ALLOY	2	10110-22	10110-22	10110-22	10110-22	10110-22
"	"	316 SS	2	10210-32	10210-32	10210-32	10210-32	10210-32
5	ALEMITE FITTING	ALL	1	15110-80	15110-80	15110-80	15110-80	15110-80
6	BODY GREASE FITTING	ALLOY	3	02110-22	02110-22	02110-22	02110-22	02110-22
"	"	316 SS	4	02210-32	02210-32	02210-32	02210-32	02210-32
7	STUD, TAP END (BONNET STUD)		16	08205-	08210-	08215-	08220-	08225-
8	HEX NUT (BONNET-STUD NUT)		16	09205-	09210-	09215-	09220-	09225-
9	OPERATING STEM	17-4 PH	1	21205-50	21210-50	21215-50	21220-50	21225-50
10	BALANCING STEM	17-4 PH	1	28205-50	28210-50	28215-50	28220-50	28225-50
11	GATE NUT	410 SS	2	29205-41	29210-41	29215-41	29220-41	29225-41
12	GATE NUT LOCK SCREW	SS (300)	2	30205	30205	30205	30206	30206
13	SET SCREW		1	N/A	N/A	N/A	N/A	N/A
14	PACKING SET	REG. TRIM (T-21)	2	12205-82	12210-82	12215-82	12220-82	12225-82
"	"	H2S (T-26)	2	12205-83	12210-83	12215-83	12220-83	12225-83
15	PACKING RETAINER NUT	4130	2	17205-21	17210-21	17215-21	17220-21	17225-21
16	BALANCING STEM PROTECTOR	4130	1	26205-10	26210-10	26215-10	26220-10	26225-10
17	LOCK NUT	4130	1	18205-21	18210-21	18215-21	18220-21	18225-21
18	BEARING CAP	ALLOY	1	34205	34215	34215	34220	34225
19	CAP SCREW	SS (300)	4	33205	33210	33210	33220	33225
20	BLOWDOWN FITTING		1	N/A	N/A	N/A	N/A	N/A
21	THRUST BEARING		2	14205	14210	14215	14220	14225
22	STEM DRIVE NUT	Manganese Bronze	1	37205-70	37210-70	37215-70	37220-70	37225-70
23	ROD WIPER (WIPER SEAL)	B70	2	36205	36110	36110	36220	36225
24	HANDWHEEL	DUCTILE IRON	1	19205-81	19210-81	19215-81	19220-81	19225-81
25	OPERATING STEM PROTECTOR	4130	1	35205-10	35210-10	35210-10	35220-10	35225-10
26	GATE ASSY	410 SS NIT.(T-22)	1	99205-41	99210-41	99215-41	99220-41	99225-41
"	"	410SS HF/TC (T-26)	1	99205-41-H	99210-41-H	99215-41-H	99220-41-H	99225-41-H
26a	GATE SPRING	Inconel	2	25205-62	25210-62	25215-62	25220-62	25225-62
27	GATE GUIDE	300SS	2	03205-30	03210-30	03215-30	03220-30	03225-30
28	SEAT	410 SS NIT. (T-22)	2	04205-41.**	04210-41.**	04215-41.**	04220-41.**	04225-41.**
"	"	410SS HF/TC (T-26)	2	04205-41-H.**	04210-41-H.**	04215-41-H.**	04220-41-H.**	04225-41-H.**
29	BLIND PLUG	ALLOY	2	02205-80	02205-80	02205-80	02205-80	02205-80
30	BALANCING BONNET	4130	1	40205-21	40210-21	40215-21	40220-21	40225-21
"	"	410 SS	2	40205-41	40210-41	40215-41	40220-41	40225-41

** = seat and letter size

ALL PARTS MANUFACTURED BY TECH-SEAL INT'L



Parts Manufactured By Tech-Seal International.

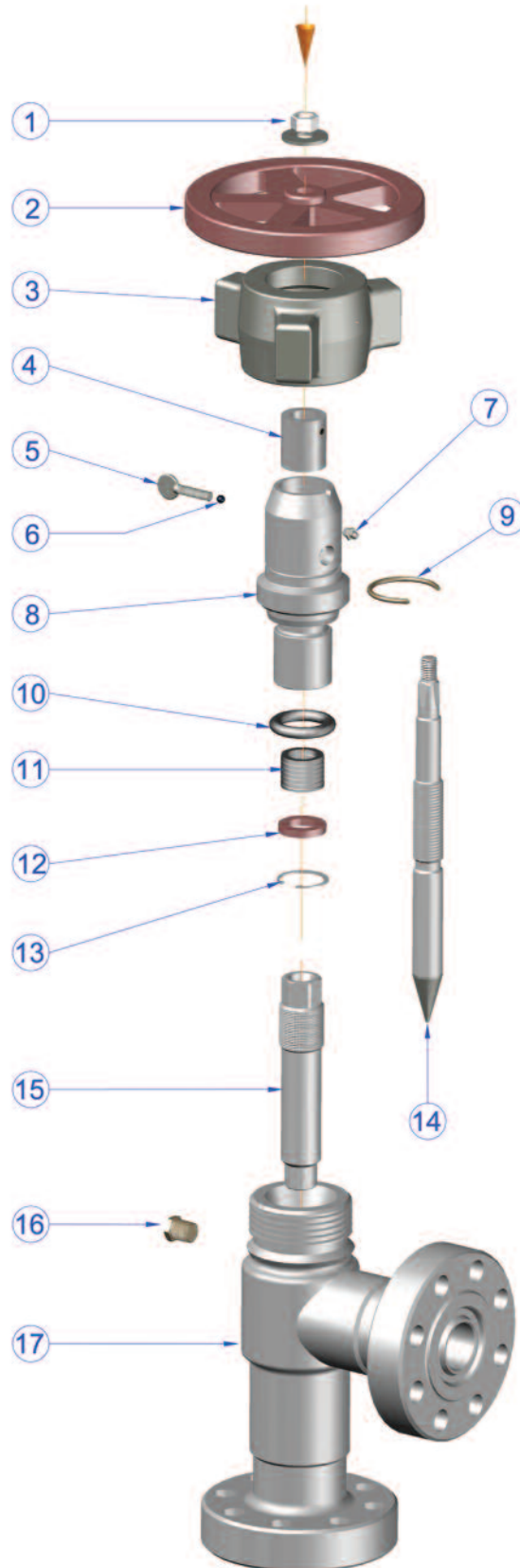
Replacement Parts for OCT Chokes

ITEM	DESCRIPTION	TRIM	PART NUMBER
1	STEM N60/FT-116A, 5M PSI CWP	HS	FC21-01
"	"	SS/TC	FC21-03
2	STEM N62, 5M PSI CWP	HS	FC21-06
"	"	SS/TC	FC 21-08
3	STEM JWA, 10M PSI CWP	HS	FC21-10
"	"	SS/TC	FC21-11
"	"	INCONEL/TC	FC21-12
4	SEAT ADJUSTABLE/OCT/JWA 3/4" ORIFICE	REG TRIM	FC04-01
"	"	S.S./TC/1"LN	FC04-03
"	"	S.S./TC/FL	FC04-04
"	" 1" ORIFICE	REG TRIM	FC04-10
"	"	S.S./TC/1"LN	FC04-05
"	"	S.S./TC/FL	FC04-11
5	OCT CHOKE WRENCH	4130	FC-80-13
6	OCT CHOKE BEAN	HS/TC	FC0-102**
7	STEM H2 1" MAX 3M/5M/10M	SS/TC	FC21-21
8	STEM H2 1" MAX 15M	SS/TC	FC21-22
9	SEAT-H2 1" MAX	SS/TC 1" LN	FC11-10
"	"	SS/TC FL	FC11-20
10	STEM H2 2" MAX	SS/TC	FC21-20
11	SEAT-H2 2" MAX	SS/TC	FC04-20
12	CHOKE BEAN WRENCH CIW H2 1" MAX	4130	FC80-14
13	BEAN ADAPTER, H2 x OCT	4130	CIW 2095
"	"	410 SS	CIW 2098
14	CHOKE BEAN WRENCH CIW H2 2" MAX	4130	FC80-15
15	MASTER BEAN, CIW x CIW, 2" x 1"	410 SS	CIW 2099
PARTS MANUFACTURED BY TECH-SEAL INT'L			

Notes: ** = Orifice

Replacement Parts for: OCT JWA-Adjustable Choke

- 1 STEM WASHER & NUT
- 2 HANDWHEEL
- 3 WING NUT
- 4 INDICATOR & SET SCREW
- 5 THUMB SCREW
- 6 NYLON BALL
- 7 GREASE FTG
- 8 JWA BONNET
- 9 SPRING (EXT. RET. RING)
- 10 O-RING
- 11 PACKING
- 12 JUNK RING
- 13 INT.RET. RING
- 14 STEM
- 15 SEAT
- 16 Body 1/2" pipe plug
- 17 JWA CHOKE BODY



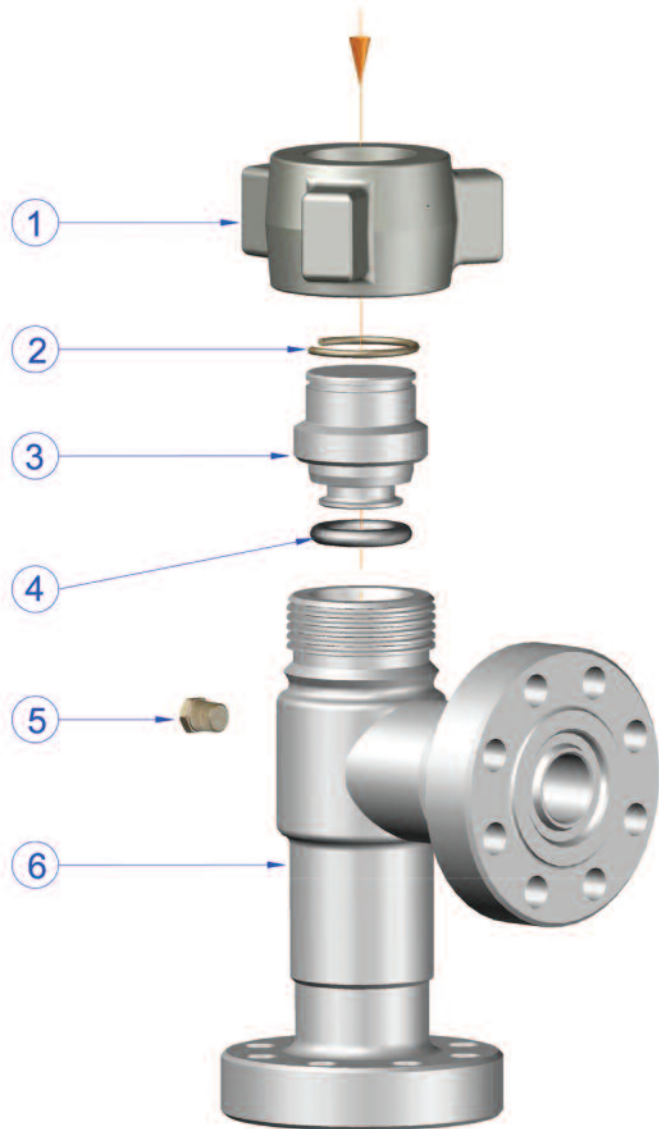
Replacement Parts For OCT JWA Adjustable Choke

ITEM	DESCRIPTION	TRIM	2-1/16" 5M	1-13/16" 10M
			PART NUMBER	PART NUMBER
1	STEM WASHER & NUT	ALL	FC20-01	FC20-01
2	HANDWHEEL	ALL	FC19-01	FC19-01
3	WING NUT	ALL	FC50-05	FC50-10
4	INDICATOR & SET SCREW 3/4"	ALL TRIM	FC42-02	FC42-02
"	" 1"	ALL TRIM	FC42-03	FC42-03
5	THUMB SCREW	ALL	FC52-01	FC52-01
6	NYLON BALL	ALL	FC80-01	FC80-01
7	GREASE FTG	ALL	15110-80-W	15110-80-W
8	JWA BONNET	REG TRIM	FC07-05	FC07-10
"	"	SS	FC07-06	FC07-11
9	SPRING (EXT. RET. RING)	ALL TRIM	FC41-10	N/A
10	O-RING	ALL	FC70-01	FC70-05
11	PACKING	REG TRIM	FC12-15	FC12-15
"	"	H2S	FC12-14	FC12-14
12	JUNK RING	ALL	FC14-05	FC14-05
13	INT.RET. RING	ALL	FC41-06/S	FC41-06/S
14	STEM	REG TRIM	FC21-10	FC21-10
"	"	S.S./TC	FC21-11	FC21-11
"	"	INC./TC (NL)	FC21-12	FC21-12
15	SEAT 3/4" ORIFICE	REG TRIM	FC04-01	FC04-01
"	"	S.S./TC/1"LN	FC04-03	FC04-03
"	"	S.S./TC/FL	FC04-04	FC04-04
"	1" ORIFICE	REG TRIM	FC04-10	FC04-10
"	"	S.S./TC/1"LN	FC04-05	FC04-05
"	"	S.S./TC/FL	FC04-11	FC04-11
16	1/2"PIPE PLUG	ALLOY	02205-80	02205-80
"	"	316 S.S.	02205-30	02205-30
17	JWA CHOKE BODY	REG TRIM	FC01-10	FC01-25
"	"	SS	FC01-12	FC01-21
	BNT ASSY	REG TRIM	FC-B1031	FC-B4031
	"	ALLOY BNT/SS/TC	FC-B1032	FC-B4032
	"	SS BNT/SS/TC	FC-B1832	FC-B4532

PARTS MANUFACTURED BY TECH-SEAL INT'L

Replacement Parts for: OCT JWA-Positive Choke

- 1 WING NUT
- 2 EXT. SPRING (RET. RING)
- 3 BLANKING CAP
- 4 O-RING
- 5 1/2" NPT PIPE PLUG
- 6 BODY



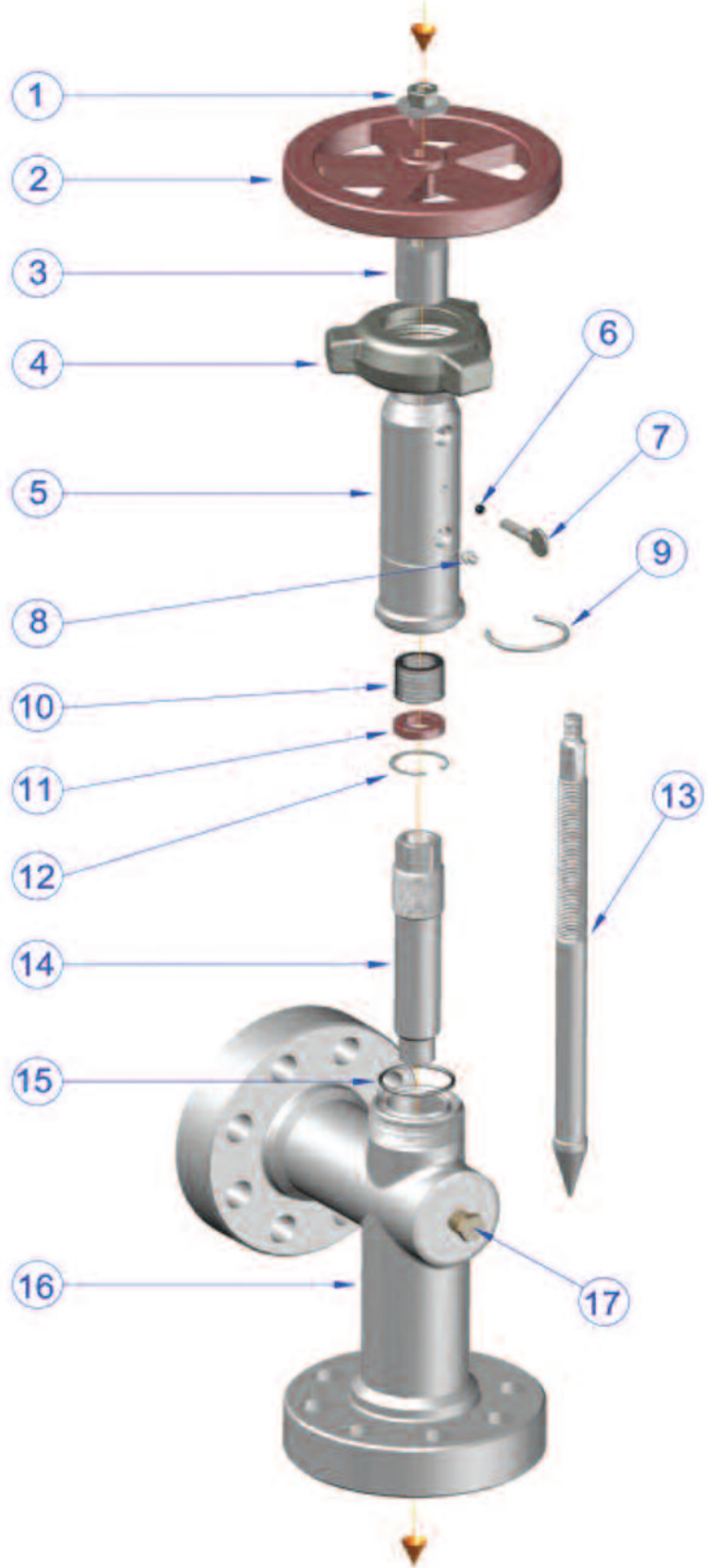
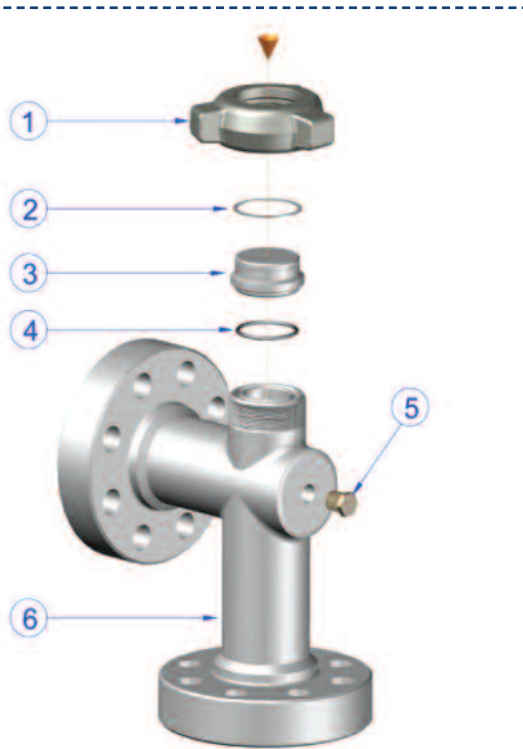
Replacement Parts For OCT JWA Positive Choke

ITEM	DESCRIPTION	TRIM	2-1/16" 5M	1-13/16" 10M
			PART NUMBER	PART NUMBER
1	WING NUT	ALL	FC50-05	FC50-10
2	EXT. SPRING (RET. RING)	ALL	FC41-10	FC41-11
3	BLANKING CAP	REG TRIM	FC43-01	FC43-10
"	"	S.S.	FC43-02	FC43-12
4	O-RING	ALL	FC70-01	FC70-05
5	1/2" NPT PIPE PLUG	ALLOY	02205-80	02205-80
"	"	316 S.S.	02205-30	02205-30
6	BODY	REG TRIM	FC01-10	FC01-25
"	"	SS	FC01-12	FC01-21

PARTS MANUFACTURED BY TECH-SEAL INT'L

OCT N-62 ADJUSTABLE CHOKE

- 1 STEM WASHER & NUT
- 2 HANDWHEEL
- 3 INDICATOR & SET SCREW
- 4 WING NUT
- 5 BONNET
- 6 NYLON BALL
- 7 THUMB SCREW
- 8 GREASE FTG
- 9 EXT. SPRING (ret. ring)
- 10 PACKING
- 11 JUNK RING
- 12 RETAINER RING
- 13 STEM
- 14 SEAT
- 15 O-RING
- 16 Body
- 17 1/2" pipe plug



OCT T-1 POSITIVE CHOKE

- 1 WING NUT
- 2 RET. RING
- 3 BLANKING CAP (SOLID)
- 4 O-RING
- 5 1/2" NPT PIPE PLUG
- 6 BODY

Replacement Parts for OCT N-62 Adjustable Choke

ITEM	DESCRIPTION	TRIM	PART NUMBER
1	STEM WASHER & NUT	ALL	FC20-01
2	HANDWHEEL	ALL	FC19-01
3	INDICATOR & SET SCREW 3/4"	ALL TRIM	FC42-02
"	" 1"	ALL TRIM	FC42-03
4	WING NUT	ALL	FC50-01
5	BONNET	REG TRIM	FC07-01
6	NYLON BALL	ALL	FC80-01
7	THUMB SCREW	ALL	FC52-01
8	GREASE FTG	ALL	15110-80-W
9	EXT. SPRING (RET. RING)	ALL TRIM	FC41-10
10	PACKING	REG TRIM	FC12-01
"	"	H2S	FC12-05
11	JUNK RING	ALL	FC14-01
12	RETAINER RING	ALL	FC41-05/S
13	STEM	REG TRIM	FC21-06
"	"	S.S./TC	FC21-08
14	SEAT 3/4" ORIFICE	REG TRIM	FC04-01
"	"	S.S./TC/1"LN	FC04-03
"	"	S.S./TC/FL	FC04-04
"	1" ORIFICE	REG TRIM	FC04-10
"	"	S.S./TC/1"LN	FC04-05
"	"	S.S./TC/FL	FC04-11
15	O-RING	ALL	B70/2-228
16	BODY	REG TRIM	FC01-15
17	1/2" PIPE PLUG	ALLOY	02205-80
N/A	BNT ASSY (3/4" MAX)	REG TRIM	FC-B2031
N/A	"	S.S.	FC-B2032

Replacement Parts for OCT T-1 Positive Choke

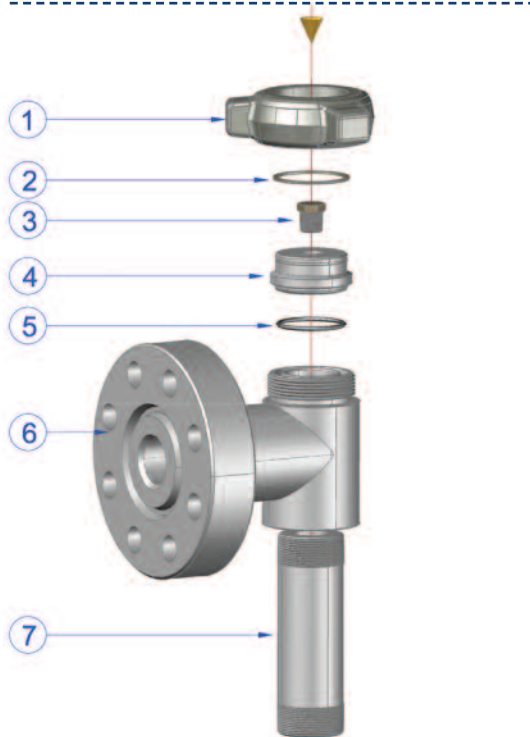
ITEM	DESCRIPTION	TRIM	PART NUMBER
1	WING NUT	ALL	FC50-01
2	RET. RING	ALL	FC41-07
3	BLANKING CAP (SOLID)	REG TRIM	FC43-05
"	" (1/2" TAP)	REG TRIM	FC43-06
4	O-RING	ALL	B70/2-228
5	1/2" NPT PIPE PLUG	REG TRIM	02205-80
6	BODY	REG TRIM	FC01-15

PARTS MANUFACTURED BY TECH-SEAL INT'L

Replacement Parts for: OCT FT-116 Adjustable Choke OCT FT-116 Positive Choke

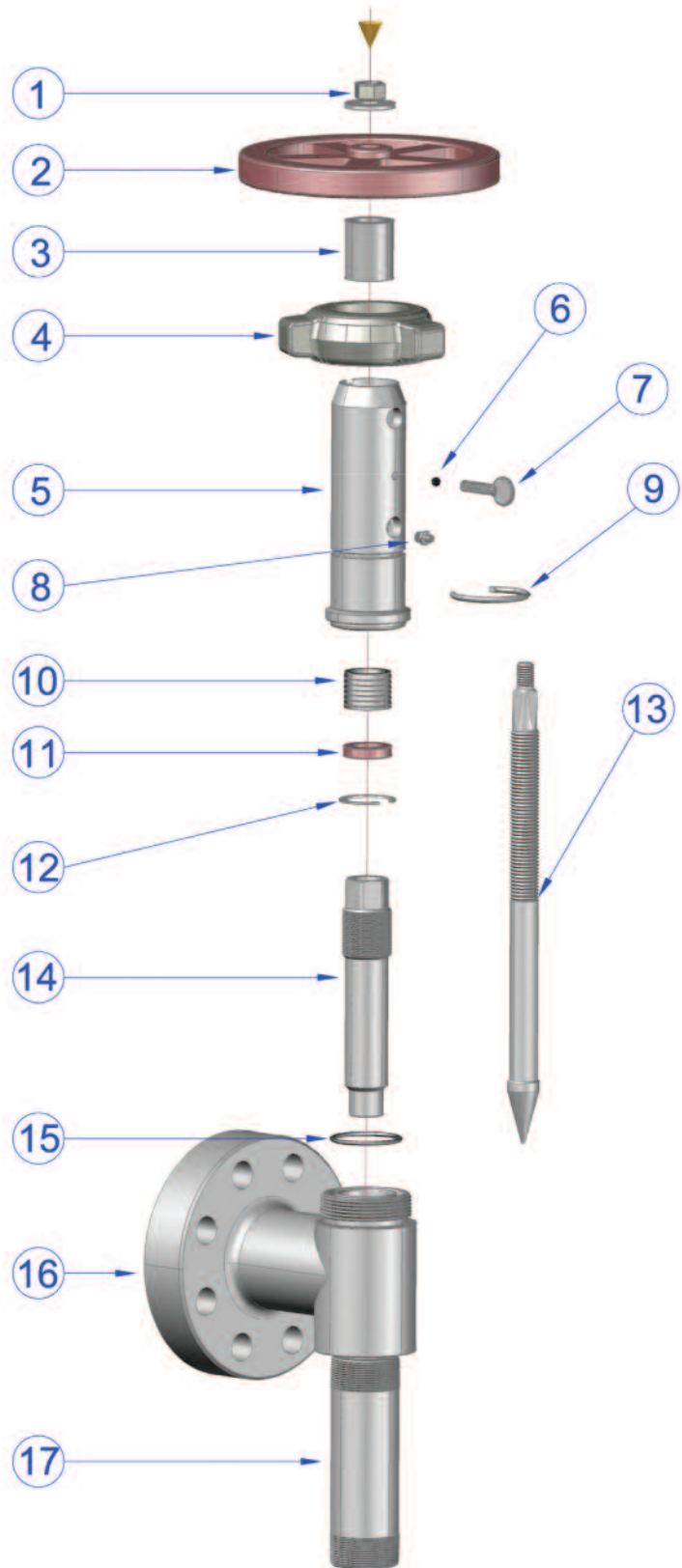
OCT FT-116 ADJUSTABLE CHOKE

- 1 STEM WASHER & NUT
- 2 HANDWHEEL
- 3 INDICATOR & SET SCREW
- 4 WING NUT
- 5 BONNET
- 6 NYLON BALL
- 7 THUMB SCREW
- 8 GREASE FTG
- 9 EXT. SPRING (ret. ring)
- 10 PACKING
- 11 JUNK RING
- 12 RETAINER RING
- 13 STEM
- 14 SEAT
- 15 O-RING
- 16 BODY
- 17 CAGE NIPPLE



OCT FT-116 POSITIVE CHOKE

- 1 WING NUT
- 2 RETAINER RING
- 3 1/2" NPT PIPE PLUG
- 4 BLANKING CAP (SOLID)
- 5 O-RING
- 6 BODY
- 7 CAGE NIPPLE



Replacement Parts for OCT FT-116 Adjustable Choke

ITEM	DESCRIPTION	TRIM	PART NUMBER
1	STEM WASHER & NUT	ALL	FC20-01
2	HANDWHEEL	ALL	FC19-01
3	INDICATOR & SET SCREW 3/4"	ALL	FC42-02
"	" 1"	ALL	FC42-03
4	WING NUT	ALL	FC50-01
5	BONNET	REG TRIM	FC07-01
6	NYLON BALL	ALL	FC80-01
7	THUMB SCREW	ALL	FC52-01
8	GREASE FTG	ALL	15110-80-W
9	EXT. SPRING (RET. RING)	ALL	FC41-10
10	PACKING	REG TRIM	FC12-01
"	"	H2S	FC12-05
11	JUNK RING	ALL	FC14-01
12	RETAINER RING	ALL	FC41-05/S
13	STEM	REG TRIM	FC21-01
"	"	S.S./TC	FC21-03
14	SEAT 3/4" ORIFICE	REG TRIM	FC04-01
"	"	S.S./TC/1"LN	FC04-03
"	"	S.S./TC/FL	FC04-04
"	1" ORIFICE	REG TRIM	FC04-10
"	"	S.S./TC/1"LN	FC04-05
"	"	S.S./TC/FL	FC04-11
15	O-RING	ALL	B70/2-228
16	BODY	REG TRIM	FC01-05
17	CAGE NIPPLE	REG TRIM	FC81-01
N/A	BNT ASSY (3/4" MAX)	REG TRIM	FC-B3031
N/A	"	S.S./TC	FC-B3032

Replacement Parts for OCT FT-116 Positive Choke

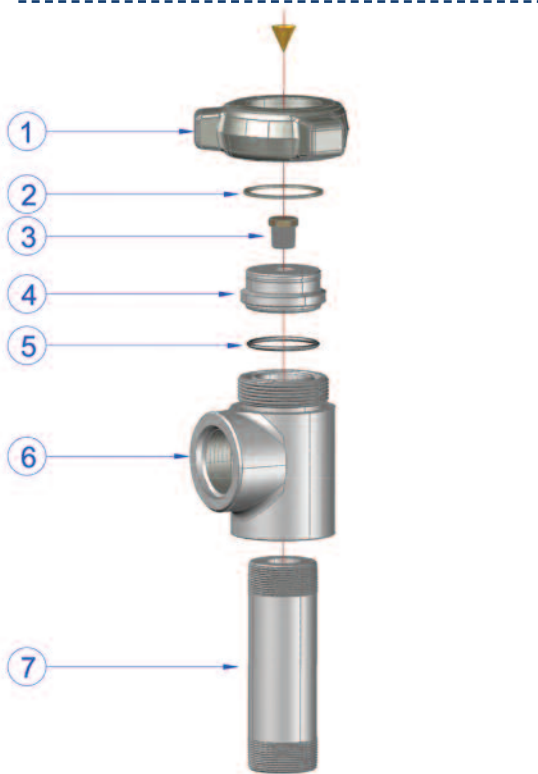
ITEM	DESCRIPTION	TRIM	PART NUMBER
1	WING NUT	ALL	FC50-01
2	RETAINER RING	ALL	FC41-07
3	1/2" NPT PIPE PLUG	ALLOY	02205-80
4	BLANKING CAP (SOLID)	REG TRIM	FC43-05
"	" (1/2" TAP)	REG TRIM	FC43-06
5	O-RING	ALL	B70/2-228
6	BODY	REG TRIM	FC01-05
7	CAGE NIPPLE	REG TRIM	FC81-01

PARTS MANUFACTURED BY TECH-SEAL INT'L

Replacement Parts for: OCT T-N60 Adjustable Choke OCT FT-108 Positive Choke

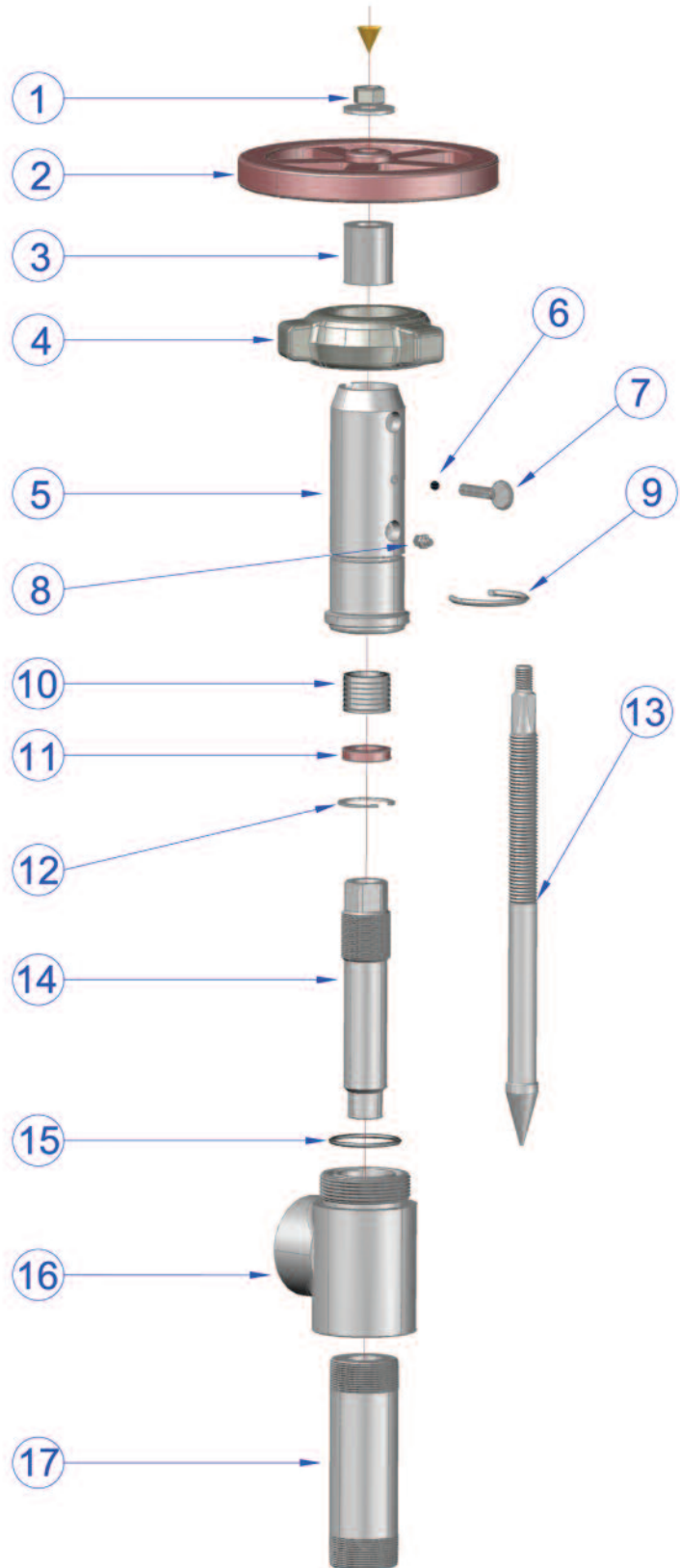
OCT N-60 ADJUSTABLE CHOKE

- 1 STEM WASHER & NUT
- 2 HANDWHEEL
- 3 INDICATOR & SET SCREW
- 4 WING NUT
- 5 BONNET
- 6 NYLON BALL
- 7 THUMB SCREW
- 8 GREASE FTG
- 9 EXT. SPRING (ret. ring)
- 10 PACKING
- 11 JUNK RING
- 12 RETAINER RING
- 13 STEM
- 14 SEAT
- 15 O-RING
- 16 BODY
- 17 CAGE NIPPLE



OCT FT-108 ADJUSTABLE CHOKE

- 1 WING NUT
- 2 RETAINER RING
- 3 1/2" NPT PIPE PLUG
- 4 BLANKING CAP (SOLID)
- 5 O-RING
- 6 BODY
- 7 CAGE NIPPLE



Replacement Parts For OCT N-60 Adjustable Choke

ITEM	DESCRIPTION	TRIM	PART NUMBER
1	STEM WASHER & NUT	ALL	FC20-01
2	HANDWHEEL	ALL	FC19-01
3	INDICATOR & SET SCREW 3/4"	ALL	FC42-02
"	" 1"	ALL	FC42-03
4	WING NUT	ALL	FC50-01
5	BONNET	REG TRIM	FC07-01
6	NYLON BALL	ALL	FC80-01
7	THUMB SCREW	ALL	FC52-01
8	GREASE FTG	ALL	15110-80-W
9	EXT. SPRING (RET. RING)	ALL	FC41-10
10	PACKING	REG TRIM	FC12-01
"	"	H2S	FC12-05
11	JUNK RING	ALL	FC14-01
12	RETAINER RING	ALL	FC41-05/S
13	STEM	REG TRIM	FC21-01
"	"	S.S./TC	FC21-03
14	SEAT 3/4" ORIFICE	REG TRIM	FC04-01
"	"	S.S./TC/1"LN	FC04-03
"	"	S.S./TC/FL	FC04-04
"	1" ORIFICE	REG TRIM	FC04-10
"	"	S.S./TC/1"LN	FC04-05
"	"	S.S./TC/FL	FC04-11
15	O-RING	ALL	B70/2-228
16	BODY	REG TRIM	FC01-01
17	CAGE NIPPLE	REG TRIM	FC81-01
N/A	BNT ASSY (3/4" MAX)	REG TRIM	FC-B3031
N/A	"	S.S.	FC-B3032

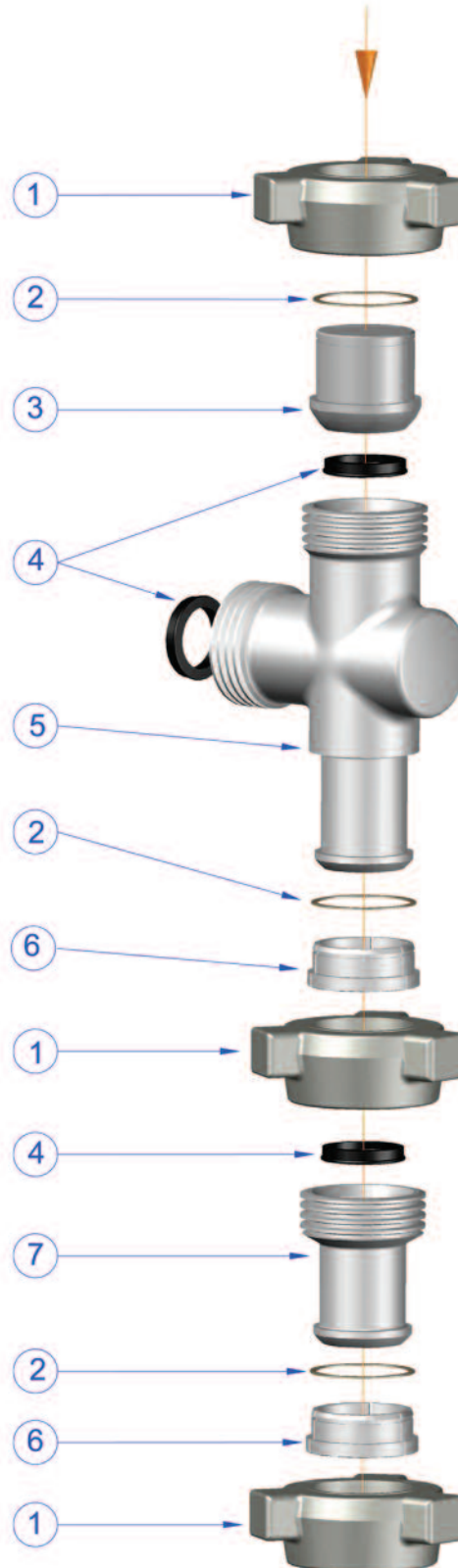
Replacement Parts For OCT FT-108 Adjustable Choke

ITEM	DESCRIPTION	TRIM	PART NUMBER
1	WING NUT	ALL	FC50-01
2	RETAINER RING	ALL	FC41-07
3	1/2" NPT PIPE PLUG	ALLOY	02205-80
4	BLANKING CAP (SOLID)	REG TRIM	FC43-05
"	" (1/2" TAP)	REG TRIM	FC43-06
5	O-RING	ALL	B70/2-228
6	BODY	REG TRIM	FC01-01
7	CAGE NIPPLE	ALL	FC81-01

PARTS MANUFACTURED BY TECH-SEAL INT'L

Replacement Parts for 2" 1502 Positive Choke

- 1 WING NUT, 2" 1502
- 2 RET. RING
- 3 BLANKING CAP
- 4 UNION SEAL 2" 1502
- 5 BODY
- 6 SPLIT RING (SET)
- 7 CHOKE SAVER



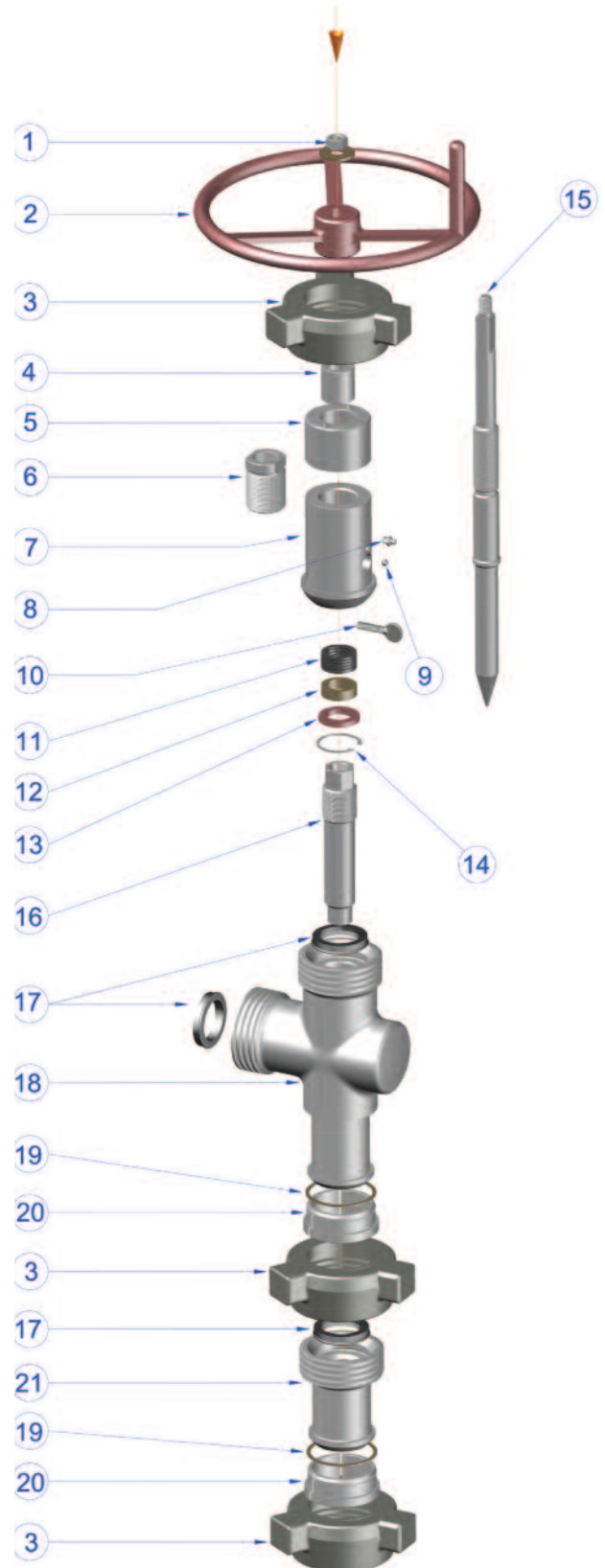
Replacement Parts For 2" 1502 Positive Choke

ITEM	QTY	DESCRIPTION	PART NUMBER
1	3	WING NUT, 2" 1502	TSIUC0002
2	3	RET. RING	WST-325
3	1	BLANKING CAP	BL-2AMS
4	3	UNION SEAL 2" 1502	6322000
5	1	BODY	FCM-9910
6	2	SPLIT RING (SET)	TS-204
7	1	CHOKE SAVER	FCM-9990

PARTS MANUFACTURED BY TECH-SEAL INT'L

Replacement Parts for 2" 1502 Adjustable Choke

- 1 STEM NUT AND WASHER
- 2 HAND WHEEL
- 3 WING NUT, 2" 1502
- 4 INDICATOR & SET SCREW
- 5 BONNET CAP
- 6 DRIVE BUSHING
- 7 BONNET HOUSING
- 8 GREASE FITTING
- 9 NYLON BALL
- 10 THUMB SCREW
- 11 PACKING
- 12 PACKING RETAINER
- 13 STEM GUIDE
- 14 INTERNAL RETAINING RING
- 15 CHOKE STEM
- 16 SEAT
- 17 UNION SEAL - 2" 1502
- 18 CHOKE BODY - 2" 1502
- 19 EXTERNAL RETAINING RING
- 20 SPLIT RING SET
- 21 CHOKE SAVER

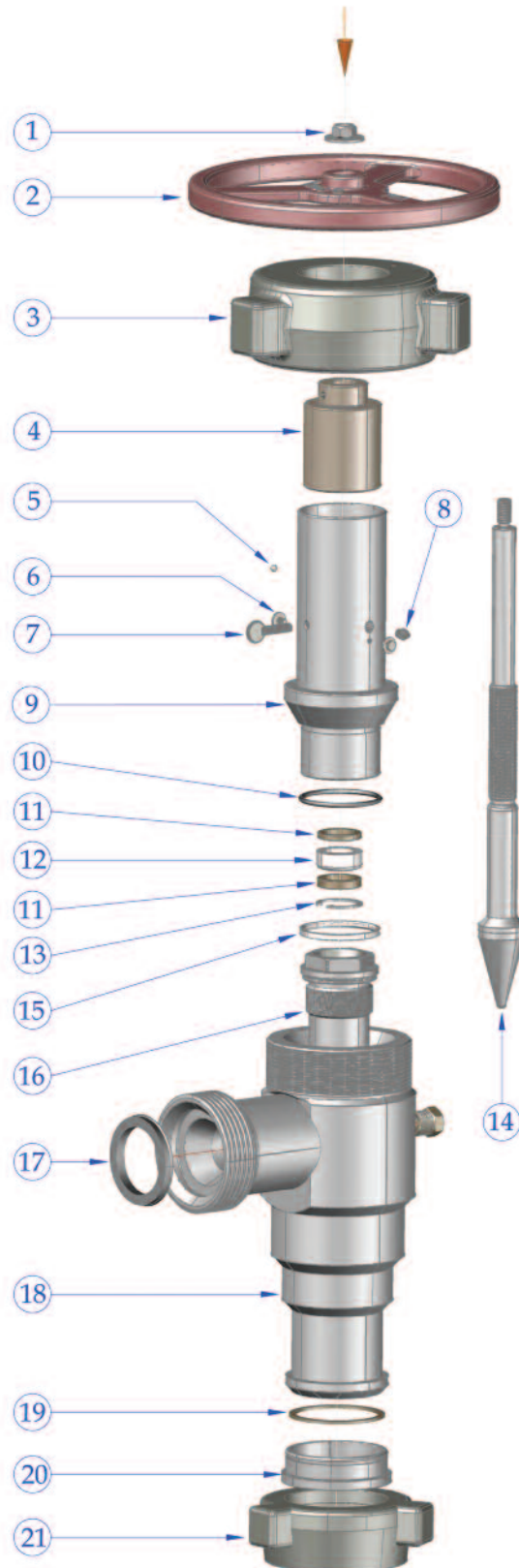


Replacement Parts For 2" 1502 Adjustable Choke

ITEM	QTY	DESCRIPTION	PART NUMBER
1	1	STEM NUT AND WASHER	FC20-01
2	1	HANDWHEEL	FCM-9905
3	3	WING NUT, 2" 1502	TSIUC0002
4	1	INDICATOR & SET SCREW 3/4"	FCM-9931
"		" 1"	FCM-9931-4
5	1	BONNET CAP	FCM-9940-3
6	1	DRIVE BUSHING	FCM-9940-2
7	1	BONNET HOUSING	FCM-9940-1
8	1	GREASE FITTING	15110-80-W
9	1	NYLON BALL	FC80-01
10	1	THUMB SCREW	FC-52-01
11	1	PACKING	FCM-9933
12	1	PACKING RETAINER	FCM-9936
13	1	STEM GUIDE	FCM-9935
14	1	INT. RETAINING RING	FCM-9932
15	1	STEM	FCM-9925
16	1	SEAT 3/4" FL/TC	FC04-04
"	"	1" FL/TC	FC04-11
17	3	UNION SEAL 2" 1502	6322000
18	1	BODY	FCM-9910
19	2	EXTERNAL RETAINING RING	WST-334
20	2	SPLIT RING (SET)	TS-204
21	1	CHOKE SAVER	FCM-9990
PARTS MANUFACTURED BY TECH-SEAL INT'L			

Replacement Parts for 3" 1502 Adjustable Choke

- 1 STEM NUT AND WASHER
- 2 HANDWHEEL
- 3 WING NUT, BNT 3" CHOKE
- 4 INDICATOR & SET SCREW
- 5 NYLON BALL
- 6 BOLT & WASHER
- 7 THUMB SCREW
- 8 GREASE FITTING
- 9 BONNET
- 10 O-RING
- 11 BACK UP RING/STEM GUIDE
- 12 PACKING
- 13 INT. RETAINING RING
- 14 STEM
- 15 SEAT SEAL
- 16 SEAT
- 17 UNION SEAL 3" 1502
- 18 BODY
- 19 EXTERNAL RETAINING
- 20 SPLIT RING (SET)
- 21 WING NUT, 3" 1502



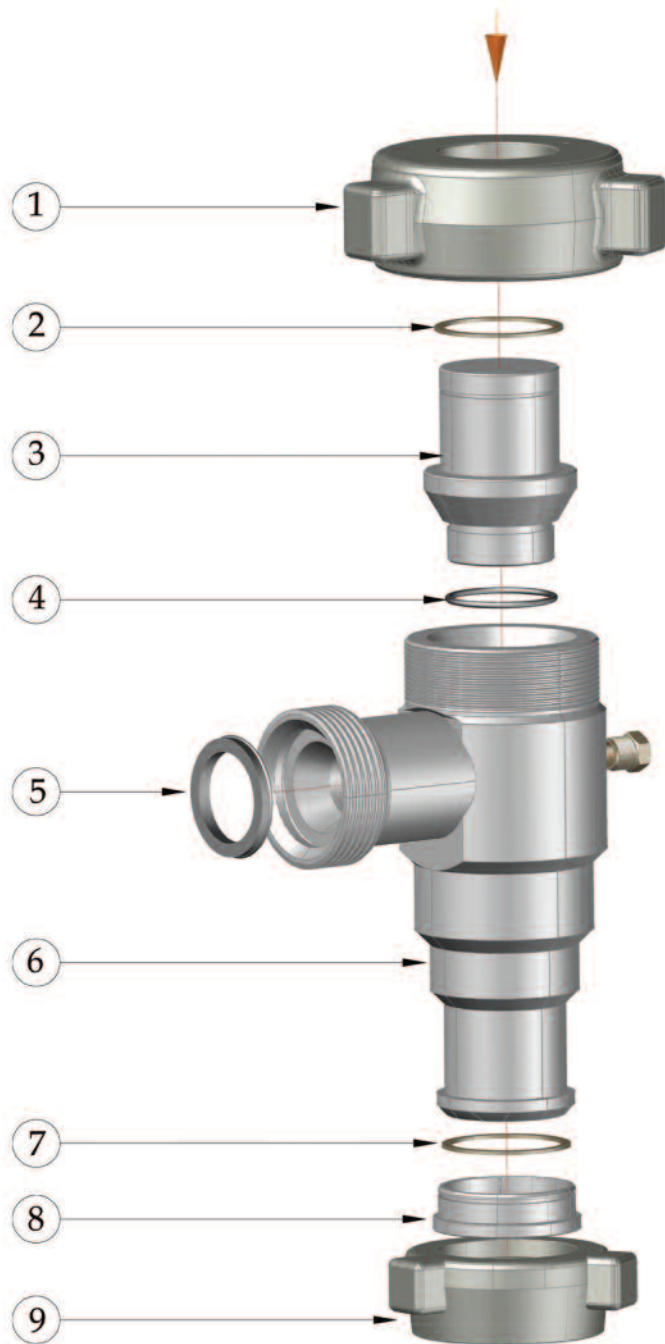
Replacement Parts For 3" 1502 Adjustable Choke

ITEM	QTY	DESCRIPTION	PART NUMBER
1	1	STEM NUT AND WASHER	FC20-01
2	1	HANDWHEEL	FCH-9905
3	1	WING NUT, BNT 3" CHOKE	FCH-9970
4	1	INDICATOR & SET SCREW	FCH-9931
5	1	NYLON BALL	FC80-01
6	1	BOLT & WASHER	FCH-9929
7	1	THUMB SCREW	FC52-01
8	1	GREASE FITTING	15110-80-W
9	1	BONNET	FCH-9940
10	1	O-RING	V90-340
11	2	BACK UP RING/STEM GUIDE	FCH-9936
12	1	PACKING	C-12120-84
13	1	INT. RETAINING RING	FCH-9932
14	1	STEM	FC21-20
15	1	SEAT SEAL	FC21-00
16	1	SEAT	F04-20
17	1	UNION SEAL 3" 1502	6482000
18	1	BODY	FCH-9910
19	1	EXTERNAL RETAINING	WST-450
20	1	SPLIT RING (SET)	TS-304
21	1	WING NUT, 3" 1502	TSIUC3002

PARTS MANUFACTURED BY TECH-SEAL INT'L

Replacement Parts for 3" 1502 Positive Choke

- 1 WING NUT, BNT 3" CHOKE
- 2 EXTERNAL RETAINING RING
- 3 BLANKING CAP
- 4 O-RING
- 5 UNION SEAL
- 6 BODY
- 7 RETAINING RING
- 8 SPLIT RING SET
- 9 WING NUT, 3" 1502



Replacement Parts For 3" 1502 Positive Choke

ITEM	QTY	DESCRIPTION	PART NUMBER
1	1	WING NUT, BNT 3" CHOKE	FCH-9970
2	1	EXTERNAL RET. RING	WSM-400
3	1	BLANKING CAP	FCH-9919
4	1	O-RING	V90-340
5	1	UNION SEAL 3" 1502	6482000
6	1	BODY	FCH-9910
7	1	RET. RING	WSM-450
8	1	SPLIT RING (SET)	TS-304
9	1	WING NUT, 3" 1502	TSIUC3002
PARTS MANUFACTURED BY TECH-SEAL INT'L			



Your Full Line Oilfield Supply Company

Open Monday – Friday 7:30 AM – 6:00 PM

Saturday 9:00 AM – 3:00 PM

24 Hour Service

TSI FLOW PRODUCTS

1" & 2" plug valves • flow line • relief and check valves • crosses • tees • 90s • swivels • crossovers • pup joints • screens • repair kits • chokes

GATE VALVE COMPONENTS

Cameron and WKM • gates • seats • body bushings • stems • bonnet seal rings • bearing & races • body grease fittings • packing injection fittings • hand-wheels

CHOKES

JWA 1-13/16" 10M and 2-1/16 5M • OCT N60/62 • stems • seats • packing • cage nipples • carbide & ceramic choke beans • CIW parts

FLANGES

API: butt weld • companion • blind • WECO
ANSI: 150# thru 1500# • slip on • threaded • butt-weld • blind • socket-weld
WECO: 1-13/16" 10M thru 4 1/16" 15M

VALVES

brass ball valve • carbon steel ball valves 2, thru 6m • needle valves • float valves • butterfly valves • check valves

PIPE FITTINGS (STD, XH, XXH, 2M, 3M, 6M)

nipples • tees • bushings • couplings • 90s • 45s • hex unions • crosses • caps • plugs

BUTT-WELD (STD, XH, XXH)

tees • reducers • 90s • 45s • caps • crosses • cushion tees

HAMMER UNIONS

butt-weld and threaded • Huber Yale

RUBBER GOODS

Small and large cross section O-rings • wellhead rubber goods • pipe welders • hammer union seals • stripper rubbers • de booster bladders • Kelly Wipers • Bowen BOP parts • CIW BOP parts

HIP (AUTO CLAVE)

Needle valves • adaptors • nipples • tees • crosses • check valves

TOOLS

Channel-lock • Irwin • Martin • Proto • Crescent • Jet • Lincoln • Eklind • Stanley • TSI Hammer Wrenches • Starret • Dewalt • Nicholson • Norseman • Ridgid • Hammers • Indersol Rand • Klein • Maglight

INSPECTION SUPPLIES

14A and 20 B powder • yellow and black iron powder • green couplant • grinding disks • wire wheels • refacing disks • flapper wheels • cutting disks • yokes • developer • penetrant

HARDWARE

extension cords • paints (spray and gallons) • grease guns • Loctite • anti-freeze • markers • batteries • paint brushes • Dry Moly • WD-40 • Brakleen • brooms • brushes • tapes • job boxes • ice chests • water coolers • load and ratchet binders • water hoses

SAFETY SUPPLIES

hard hats • gloves • safety glasses • lock-out supplies • absorbent pads/rolls • safety harnesses and lanyards • floor dry • Gatoraid • flashlights

SPECIALTY ITEMS

ring gaskets • B7 studs • chloride kits • hydrometers • H2S sniffer pumps • H2S and CO2 detection tubes • valve grease • K-Stick and bucket grease • peanut butter grease • gauges • hi-pressure grease guns • Enerpac test pumps • test charts

ACCESS OIL TOOLS

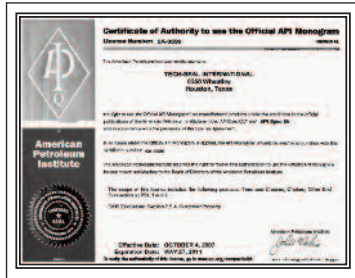
Wooley B • Du-Long • TS-100 • K-25 • K-30 • K-50 • YT • MYT • LYT • flat tong dyes • type C&T safety clam parts



Certificate of Registration ISO 9001:2000

Design and manufacture of Chokes, Tees, Crosses, and End Connectors under IAF Scope Category 17

APIQR Registration Number : 0452



Certificate of Authority to use the Official API Monogram

License Number: 6A-0696



Certificate of Registration API Specification Q1

Design and manufacture of Chokes, Tees, Crosses, and End Connectors under IAF Scope Category 17

Registration Number : Q1-0168



Certificate of Registration ISO / TS 29001

Design and manufacture of Chokes, Tees, Crosses, and End Connectors under IAF Scope Category 17

Registration Number : TS-0033



CORPUS CHRISTI, TX

4517 Baldwin

Corpus Christi, TX 78408

Toll Free: 877.886.0202

Phone: 361.882.0202

Fax: 361.882.0205

KILGORE, TX

302 S. Longview St.

Kilgore, TX 75662

Toll Free: 877.984.2870

Phone: 903.984.2870

Fax: 903.983.3750

CLEBURNE, TX

1717 Hines Rd.

Cleburne, TX 76031

Toll Free: 888.593.9143

Phone: 817.773.2536

Fax: 817.506.7697

BRIDGEVILLE, PA

580 Mayer St.

Bridgeville, Pa. 15017

Phone 412.257.0100

Fax: 412.980.3722

TOWANDA, PA

Reeves Business Park

RR#6 Box 6019-9

Towanda, PA 18848

Phone: 570.297.2300