

Pressure Rating up to 6,000 psig



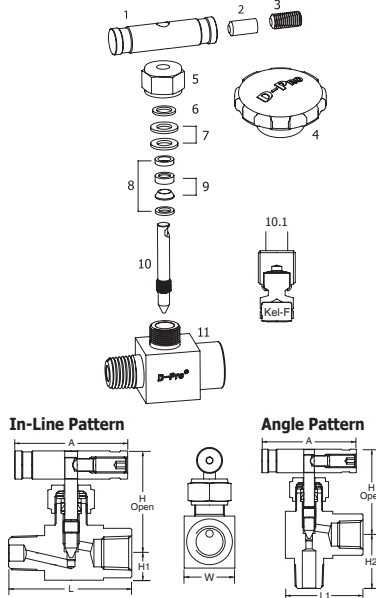
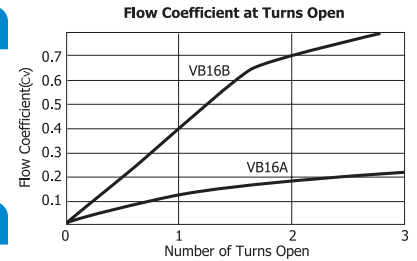
Features

Two-piece chevron PFA stem packing design with compensating spring packing.

- improves sealing integrity.
- high pressure valve but with compact design.

Flow Data

Cv are measured at the valve. Therefore restrictions at end connections may reduce flow.



Materials of Construction

Components	Material Grade
1 Bar Handle	SS316/ASTM A276
2 Position Pin	
3 Set Screw	Grade B8 TYPE 304/A193
4 Optional Round Handle	Nylon with brass insert
5 Cap Nut	SS316/ASTM A276
6 Gland	
7 Spring Packing (2)	S17700/A693
8 Upper / Lower Gland (2)	SS316/ASTM A276
9 Chevron Packing (2)	PFA/D3307
10 Standard Vee Stem	SS316/ASTM A276
10.1 Optional Soft Stem	Kel-F (PCTFE)
11 Body	SS316/ASTM A276

Pressure-Temperature Ratings

Temperature rating of VB16A & B series with nonrotating Kel-F soft seat -65 to 200 °F (-53 to 93 °C), Vee stem metal seat -65 to 450 °F (-53 to 232 °C).

Non-rotating soft seat for repetitive shut-off on gas

ASME Class	2500
Material Group	2.2
Material	SS316
Temperature °F (°C)	Working Pressure, psig (bar)
-65 to 100 (-53 to 37)	6000 (413)
200 (93)	5160 (355)
250 (121)	4910 (338)
300 (148)	4660 (321)

Ordering Information and Dimensions

Ordering Number	End Connection	Dimensions, mm(in.)				H2	L	L1	A	W
		Orifice/Cv	H	H1	H					
VB16A-	D4T-S	1/4 in. DK-Lok		3.2 (0.125) Cv 0.21	43.1 (1.69)	10.7 (0.42)	29.5 (1.16)	62.5 (2.46)	39.9 (1.57)	21.6 (0.85)
	F4N-S	1/4 in. Female NPT					25.4 (1.00)	47.8 (1.88)	36.6 (1.44)	
	M4N-S	1/4 in. Male NPT					-	49.3 (1.94)	-	
	MF4N-S	1/4 in. Male	1/4 in. Female				26.2 (1.03)	48.5 (1.91)	36.6 (1.44)	
VB16B-	D6T-S	3/8 in. DK-Lok		6.4 (0.25) Cv 0.73	58.0 (2.28)	16.8 (0.66)	-	78.2 (3.08)	-	32.0 (1.26)
	D8T-S	1/2 in. DK-Lok					-	83.8 (3.30)	-	
	F6N-S	3/8 in. Female NPT					-	-	-	
	F8N-S	1/2 in. Female NPT					35.8 (1.41)	63.5 (2.50)	52.3 (2.06)	
	MF6N-S	3/8 in. Male NPT	3/8 in. Female NPT				31.0 (1.22)	-		
	MF8N-S	1/2 in. Male NPT	1/2 in. Female NPT				35.8 (1.41)	64.8 (2.55)		
	MF12N8N-S	3/4 in. Male NPT	1/2 in. Female NPT				-	63.5 (2.50)	-	

Angle Pattern : Valves with L1 dimension available for Angle Pattern. * Round handle diameter.
To order a valve with soft stem, insert -K in the ordering number. i.e., VB16A-D4T-K-S

Factory Test

Every valve is tested with the nitrogen @ 68 bar (1,000 psig) for leakage at the seat to a maximum allowance leak rate of 0.1 scc /min. The stem packing is tested for no detectable leakage.

Safe Valve Selection

The selection of a valve for any application or system design must be considered to ensure safe performance. Valve function, valve rating, material compatibility, proper installation, operation and maintenance Remain the sole responsibility of the system designer and the user. DK-Lok accepts no liability for any improper selection, installation, operation or maintenance.

<p>Quality System Approvals</p>	<p>DK-Lok Tube Fitting Certification Listing</p>	<p>DK-Lok Valve Certification Listing</p>	<p>DK-LOK Corporation www.dklok.com</p>
---------------------------------	--	---	--

Features

- **Packing bolt** permits packing adjustment externally.
- **Chevron PTFE packing** design provides far improved sealing integrity.
- **Packing** below stem threads is to isolate threads from system fluid and lubricant washout.
- **Non-rotating** stem tip at closure for long-life and leak-tight shutoff.
- **Lock plate** ensures the valve fastened to the body.
- **NACE MR0175/ISO 15156-3** applicable

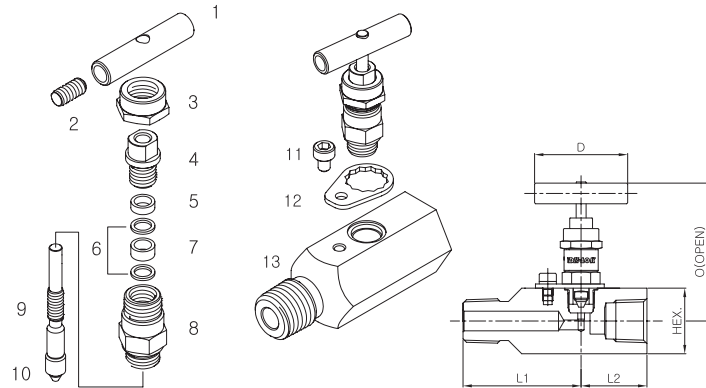
Pressure-Temperature Ratings

Body Material	Packing material	Temperature Rating	Pressure Rating @ 38 °C (100 °F)	Pressure Rating @ Max. Temp.
Stainless steel	PTFE	-54 to 232 °C (-65 to 450 °F)	689 bar (10,000 psig)	285 bar @ 232 °C 4,130 psig @ 450 °F
	Grafoil	-54 to 648 °C (-65 to 1,200 °F)		118 bar @ 648 °C 1,715 psig @ 1,200 °F
Carbon steel	PTFE	-29 to 176 °C (-20 to 350 °F)	689 bar (10,000 psig)	360 bar @ 176 °C (5,230 psig @ 350 °F)
	Grafoil	-29 to 176 °C (-20 to 350 °F)		

Materials of Construction

Component	Valve Body Materials	
	Stainless steel	Carbon steel
	Grade/ASTM specification	
1. Handle	Stainless steel	Carbon steel
2. Set screw		Carbon steel
3. Cap nut		
4. Packing bolt	SS316/A276 or A479	C.Steel/JIS G4051
5. Gland		SS316/A276 or A479
6. Packing supports	Standard chevron PTFE packing. Optional Grafoil.	
7. Packing	SS316/A276 or A479	
8. Bonnet	SS316/A276 or A479	C.Steel/JIS G4051
9. Stem		SS316/A276 or A479
10. stem disc	SS630/A564	
11. Lock bolt	Stainless steel	
12. Lock plate		
13. Body	SS316/A276 or A479	C.Steel/ JIS G4051, White zinc galvanized.

Wetted components listed in blue. Grafoil : TM UCAR



Ordering Information and Dimensions

Basic Ordering No.	End Connection		Orifice in. (mm)	Cv	Dimensions, in.(mm)					
	Inlet	Outlet			L	L1	L2	Hex	D	O
V46A-	D-4T-	1/4 DK-Lok	0.185 (4.7)	0.37	3.21 (81.5)	1.59 (40.4)	1.62 (41.1)	1.25 (31.75)	1.77 (45)	2.64 (67.2)
	D-6T-	3/8 DK-Lok		0.64	3.33 (84.5)	1.65 (41.9)	1.68 (42.6)			
	D-8T-	1/2 DK-Lok		0.83	3.54 (90.0)	1.76 (44.7)	1.78 (45.3)			
	F-4N-	1/4 Female NPT		0.83	3.0 (76.2)	1.75 (44.4)	1.25 (31.8)			
	F-6N-	3/8 Female NPT								
	F-8N-	1/2 Female NPT								
	MF-8N-	1/2 Male NPT	2.25 (57.1)							
	MF-12N8N-	1/2 Male NPT	1/2 Female NPT	3.5 (88.9)	2.25 (57.1)					

Dimensions shown are for reference only and subject to change.

How to order

- To complete ordering number, add material designator **S** for stainless steel or **C** for carbon steel. Example V46A-F8N-S
- To order optional Grafoil packing, insert **GF** to the ordering number. Example V46A-F8N-GF-S
- To order NACE applicable valve, insert **SG** to the ordering number. Example V46A-F8N-GF-SG-S



Factory test, cleaning and packaging

- Every valve is factory tested with nitrogen @ 69 bar (1,000 psig) for leakage at the seat to a maximum allowable leak rate of 0.1 SCCM.
- Stem packing is tested for no detectable leakage.
- Every valve is cleaned and packaged in accordance with DK Tech Corporation cleaning standard DC-01. Optional DC-11 cleaning for oxygen application is available on request.

Packing adjustment and Actuation Torque

- Extreme or rapid temperature cycle while valve in service may require packing adjustment.
- Valves that have not been actuated for a period of time may have a higher initial actuation torque.

Safe Valve Selection

The selection of a valve for any application or system design must be considered to ensure safe performance. Valve function, valve rating, material compatibility, proper installation, operation and maintenance Remain the sole responsibility of the system designer and the user. DK-Lok accepts no liability for any improper selection, installation, operation or maintenance.