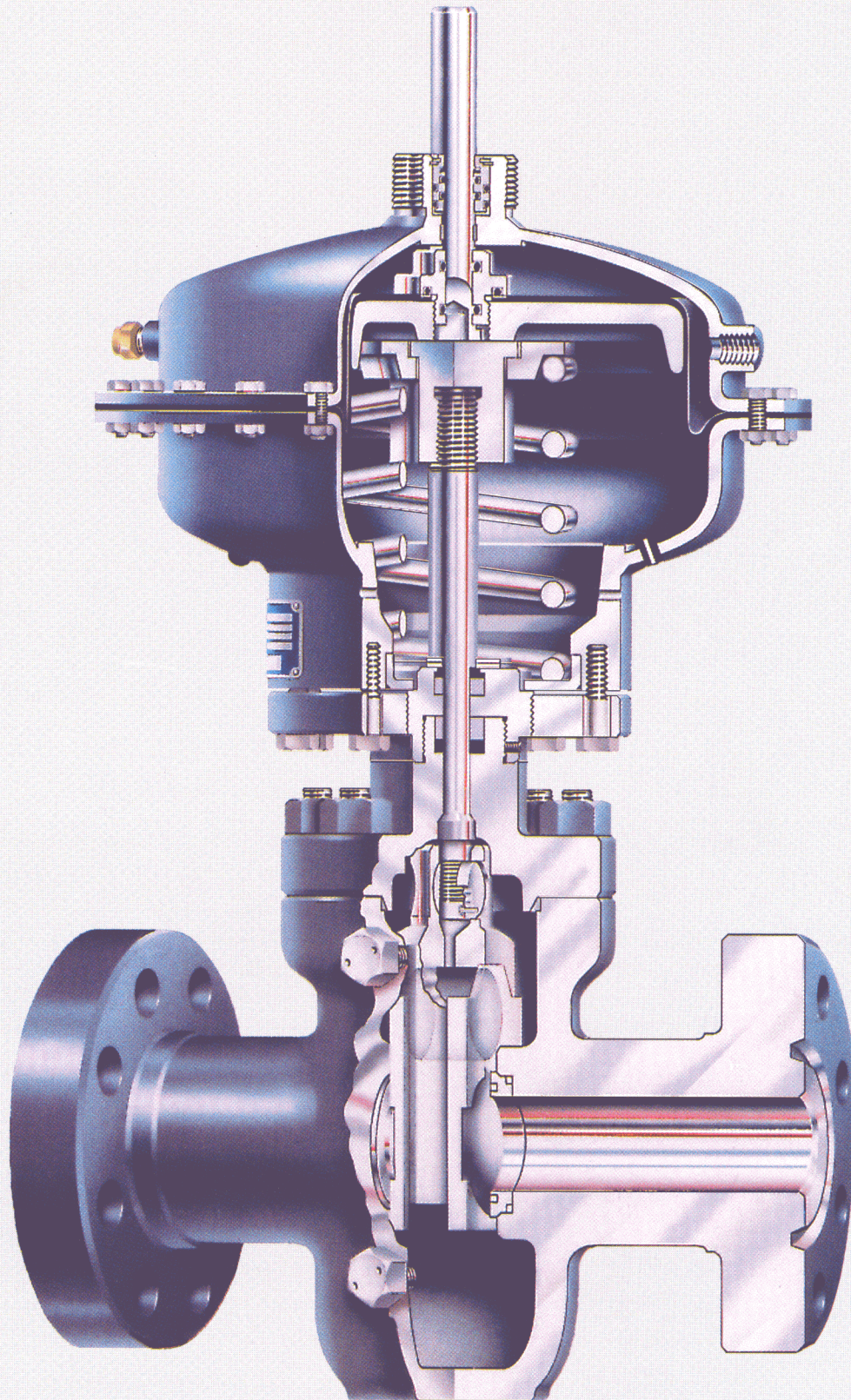




Diaphragm Actuators "Model E"

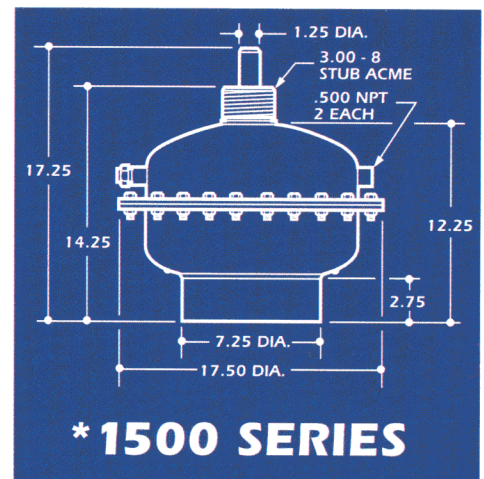
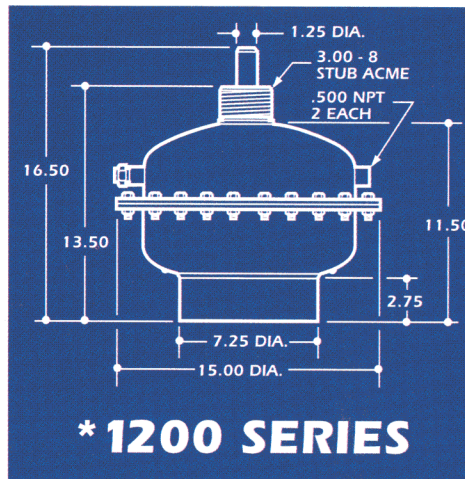
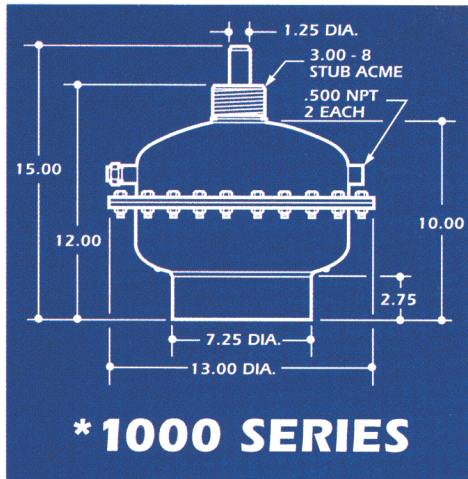


SAFOCO Incorporated Houston, Texas USA

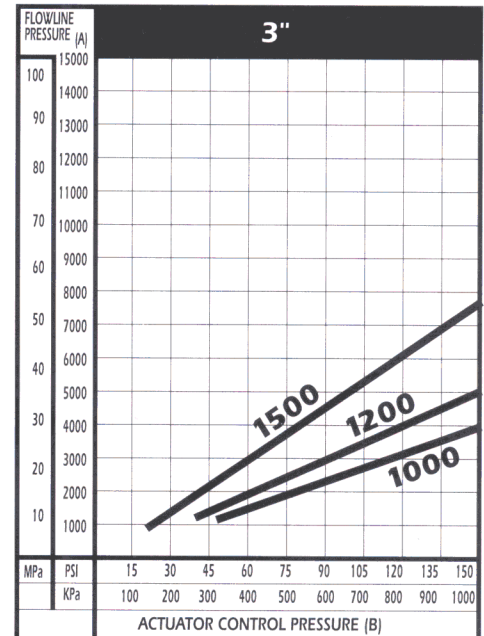
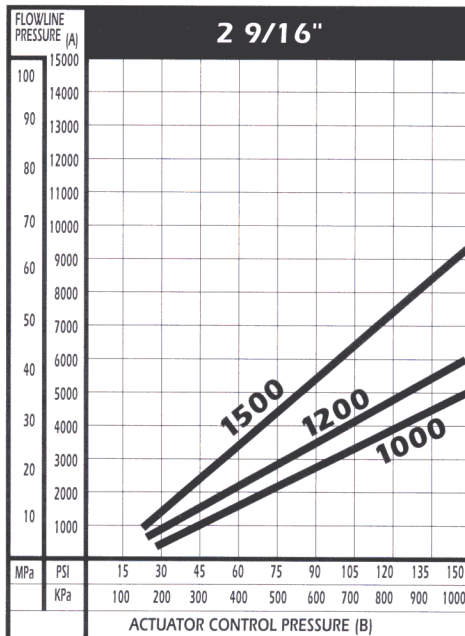
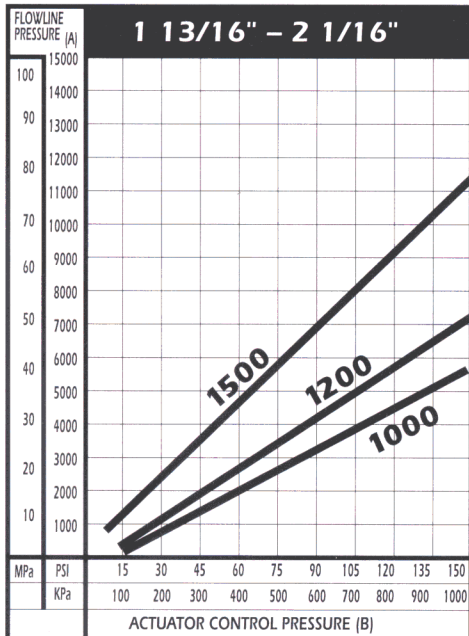
Diaphragm Actuators "Model E"



ACTUATOR SIZES



ACTUATOR APPLICATION



To determine control pressure, consult graphs for nominal valve size. Find maximum expected flowline pressure (A) on left hand ordinate. Find the actuator control pressure (B) of a line drawn vertically from (B). The intersection of the two lines indicates the correct size actuator for the specific application

The graphs shown above predict control pressures for each series of diaphragm pneumatic actuators in this product line. These graphs are based on worst case assumptions with full line pressure and gate drag friction.

SPECIFICATIONS

Maximum Operating Pressure	150 PSI	10.4 Bars
Production Test Pressure	225 PSI	15.5 Bars
Operating Temperature Range	-20°F to 150° F	-20°C to 65° C
Actuator Weight	1000 Series	63 lbs
	1200 Series	89 lbs.
	1500 Series	132 lbs.
API 6A	PSL 1	PR-2

CONTROL PRESSURE EQUATION

Actuators Series	1000	1200	1500
1 13/16" 2 1/16" Valves	.024	.019	.012
2 9/16" Valves	.029	.023	.015
3" Valves	.044	.034	.021

All Equation Nos. x W.P. + 10 PSI

* Typical dimensions, for exact dimensions per application contact SAFOCO customer service.

WARRANTY STATEMENT Products illustrated are subject to Terms and Condition of Sale including Warranty and Limitations of Liability as shown in our Price List.

Patents 6250605, 6089531

11421-A Todd Road ■ Houston, Texas USA ■ 77055 ■ Office: 1-713-956-1595 ■ Fax: 1-713-956-2449 ■ E mail: SAFOCO@aol.com

© Copyright 2002, SAFOCO Inc. We reserve the right to change specifications or information appearing in this bulletin without incurring any obligations for equipment previously or subsequently sold.